

MS6

3.7-30 kW



- Ⓞ **GB** Thrust bearing
- Ⓞ **D** Drucklager
- Ⓞ **F** Palier axial
- Ⓞ **I** Cuscinetto reggispinta
- Ⓞ **E** Cojinete de empuje
- Ⓞ **P** Casquilho de impulso rotativo
- Ⓞ **GR** Αξονικό έδρανο
- Ⓞ **NL** Drukklagers
- Ⓞ **S** Axiallager
- Ⓞ **FIN** Painelaakeri
- Ⓞ **DK** Trykleje
- Ⓞ **RU** Упорный подшипник





Warning: In order to ensure correct assembly when using a lubricant, parts must be assembled and tightened while the lubricant is still wet.

Warnung: Um bei Verwendung eines Schmiermittels eine korrekte Montage zu gewährleisten, müssen die Bauteile zusammengebaut und befestigt werden, solange das Schmiermittel noch nicht getrocknet ist.

Avertissement: Afin d'assurer un montage correct en utilisant un lubrifiant, les pièces doivent être montées et serrées avant que le lubrifiant ne se solidifie

Avvertimento: Per assicurare un corretto assemblaggio, occorre assemblare e serrare le parti mentre il lubrificante è ancora umido.

Aviso: Para asegurar el correcto montaje cuando se utiliza un lubricante, las partes deben ensamblarse y apretarse cuando el lubricante está todavía humedo.

Aviso: Com o objectivo de assegurar uma correcta montagem quando utilizar um lubrificante, as peças devem ser montadas e apertadas enquanto o lubrificante ainda está molhado.

Προειδοποίηση: Για να εξασφαλιστεί σωστή συναρμολόγηση όταν χρησιμοποιείται λιπαντικό, τα εξαρτήματα θα πρέπει να συναρμολογηθούν και να σφικτούν ενώ το λιπαντικό είναι ακόμα υγρό.

Waarschuwing: Om bij het gebruik van een smeermiddel te zorgen voor een correcte montage, moeten de onderdelen worden gemonteerd en aangedraaid wanneer het smeermiddel nog nat is.

Varning: För att säkerställa korrekt montering vid användning av ett smörjmedel måste delar monteras och dras åt när smörjmedlet är nyapplicerat.

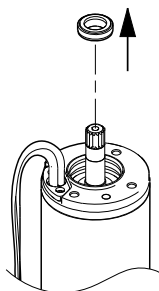
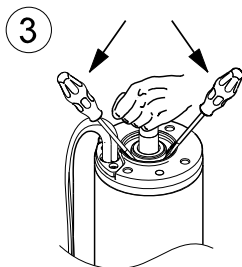
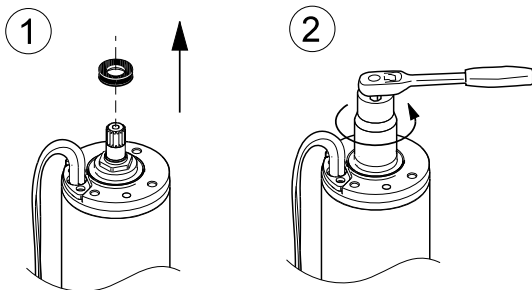
Varoitus: Oikean asennuksen varmistamiseksi voiteluainetta käytettäessä, osat tulee koota ja kiristää voiteluaineen ollessa vielä märkää.

Advarsel: For at sikre korrekt sammenspænding ved anvendelse af smøremidler, skal delene spændes sammen, mens smøremidlerne stadig er våde.

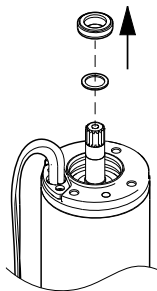
Внимание: Для того чтобы обеспечить правильную сборку при использовании смазочного материала, детали необходимо собрать и затянуть, пока смазка ещё жидкая.

3.7-9.2 kW	4
11-30 kW	21

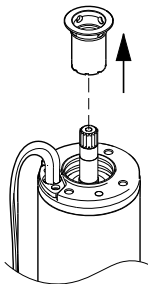
3.7-9.2 kW



Model B



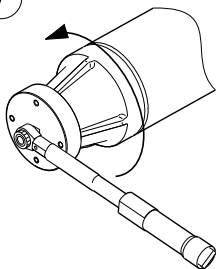
5



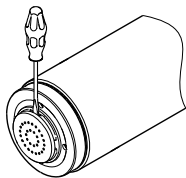
6



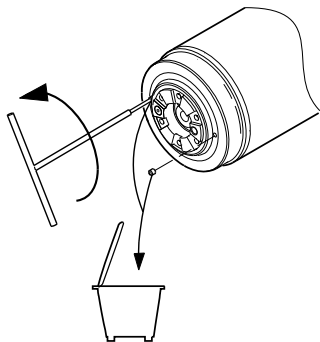
7



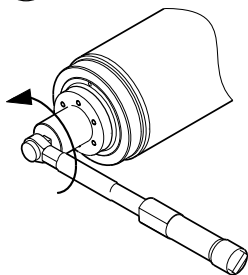
8



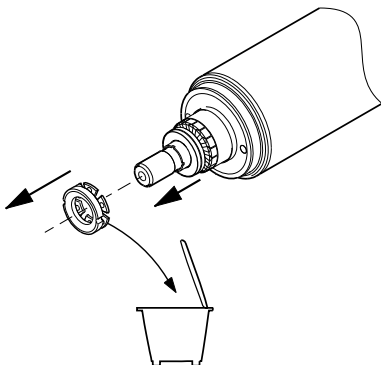
9



10



11






Model A



MS6REST30		No. 78195650		Model: A		SN: 10000001		PC P20639	
Phase	Voltage	Frequency	P ₂	P ₂	SF	Max. SF. C.	Cos φ	n	
[-]	[V]	[Hz]	[kW]	[hp]	[-]	[A]	[-]	[min ⁻¹]	
3	380	50	30		1.00	67.0	0.88	2840	
3	400	50	30		1.00	65.0	0.84	2870	
3	415	50	30		1.00	65.5	0.80	2880	

Liquid t_{max} 30°C at 0.15 m/s / °F at 0.5 ft/s Connection D Weight: 78 kg/ lb
 Duty S1 ~~Transmitter temp.~~ p_{max} 60 bar IP 68 Ins.cl. F
 MADE IN HUNGARY

  C US

GRUNDFOS 



12


Model B



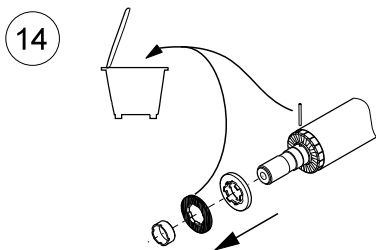
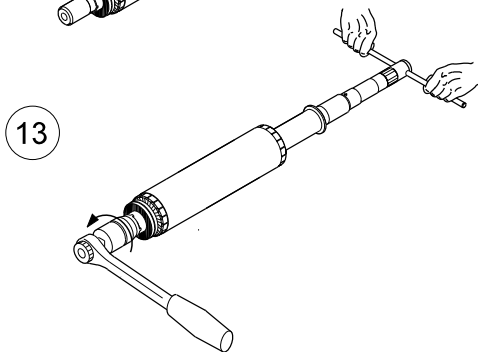
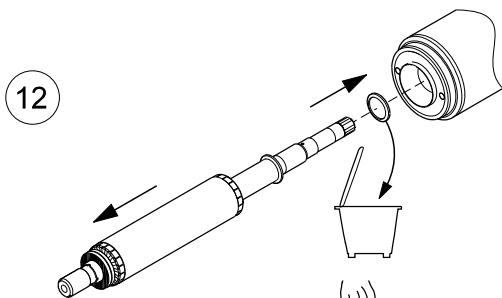
MS6REST30		No. 78195650		Model: B		SN: 10000001		PC P20639	
Phase	Voltage	Frequency	P ₂	P ₂	SF	Max. SF. C.	Cos φ	n	
[-]	[V]	[Hz]	[kW]	[hp]	[-]	[A]	[-]	[min ⁻¹]	
3	380	50	30		1.00	67.0	0.88	2840	
3	400	50	30		1.00	65.0	0.84	2870	
3	415	50	30		1.00	65.5	0.80	2880	

Liquid t_{max} 30°C at 0.15 m/s / °F at 0.5 ft/s Connection D Weight: 78 kg/ lb
 Duty S1 ~~Transmitter temp.~~ p_{max} 60 bar IP 68 Ins.cl. F
 MADE IN HUNGARY

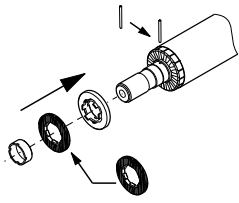
  C US

GRUNDFOS 

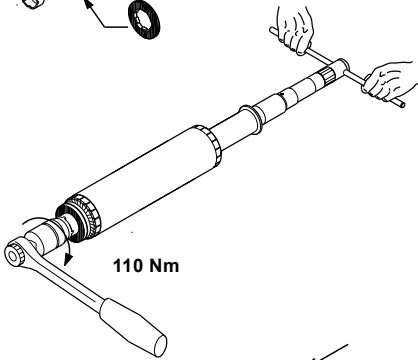
18



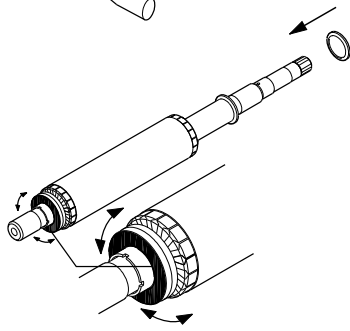
15



16



17

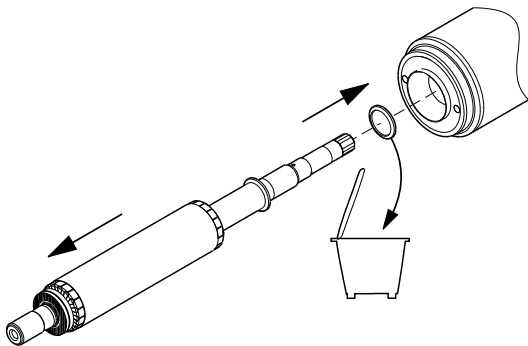


17

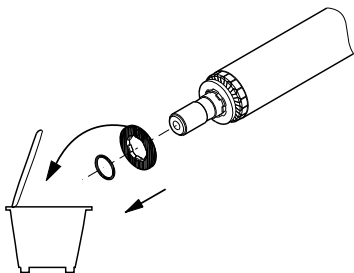


22

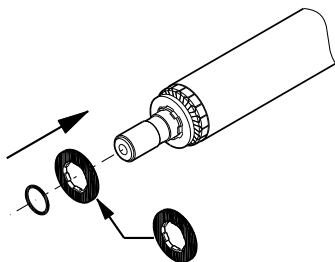
18



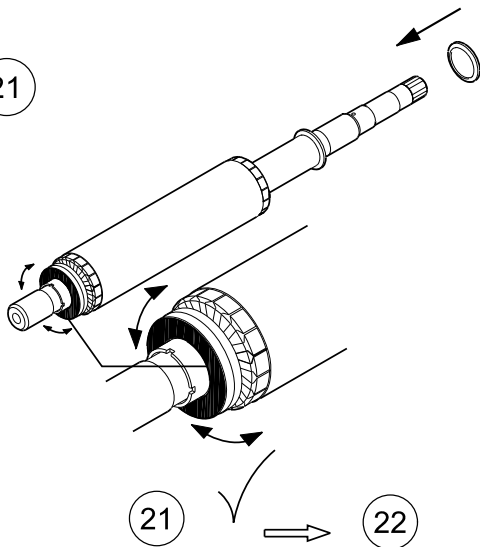
19

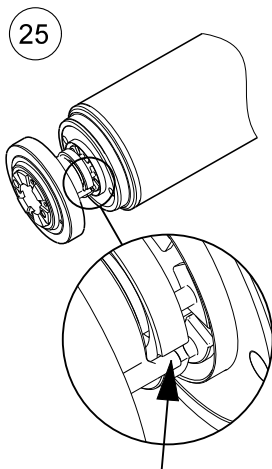
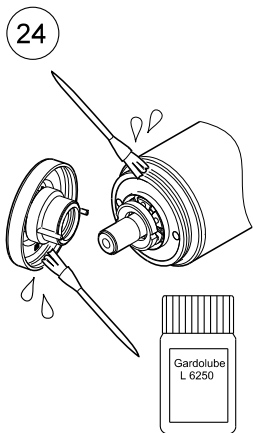
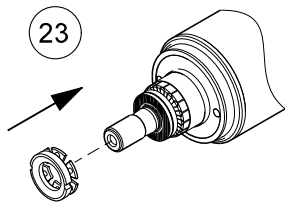
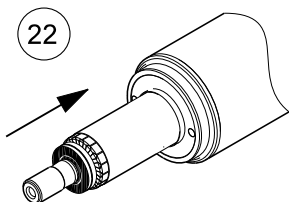


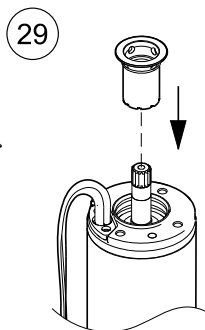
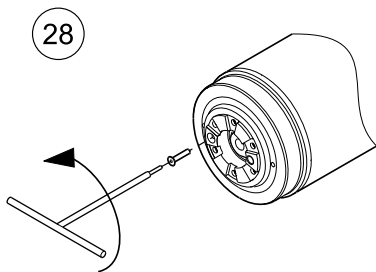
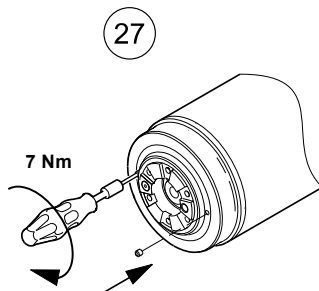
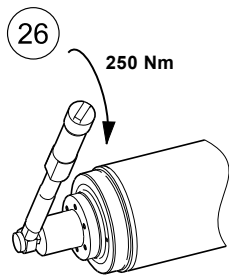
20



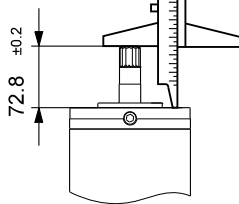
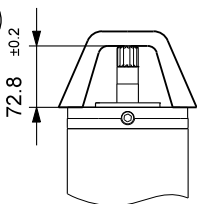
21







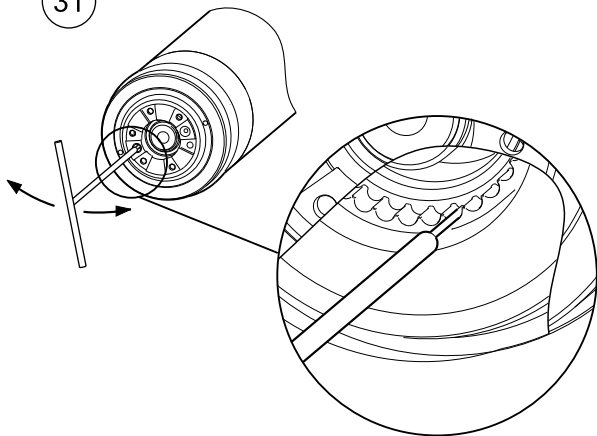
30



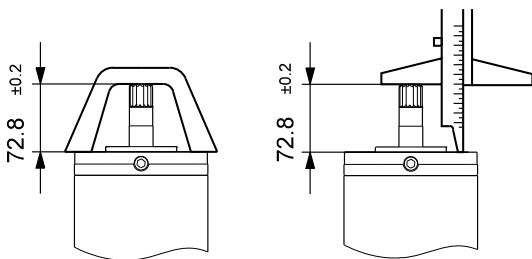
72.8 ±0.2 mm ✓ → 33

72.8 ±0.2 mm ✗ → 31

31



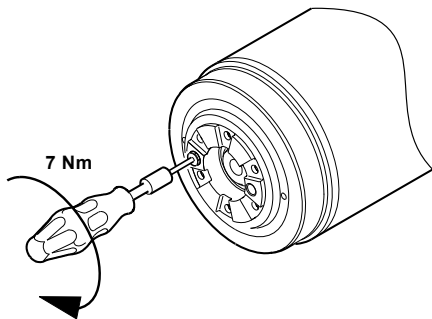
32

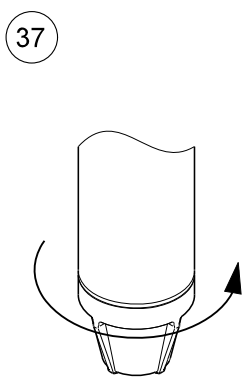
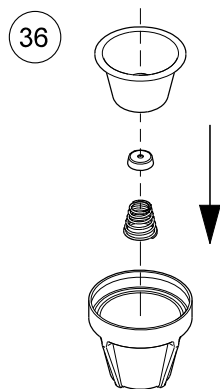
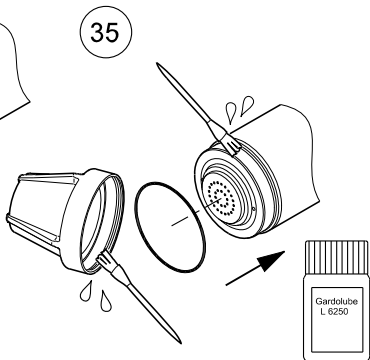
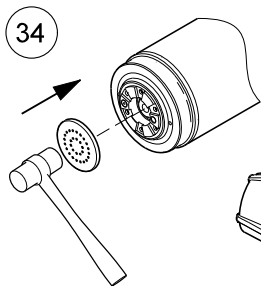


72.8 ± 0.2 mm ✓ → 33

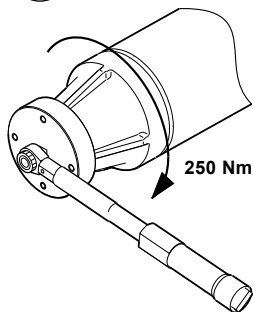
72.8 ± 0.2 mm ✗ → 31

33

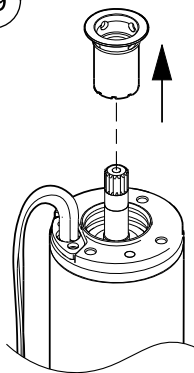




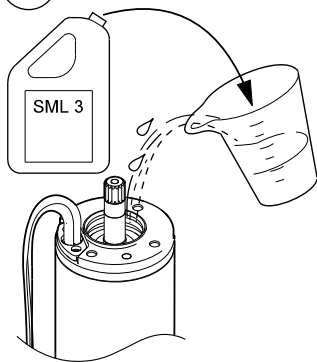
38



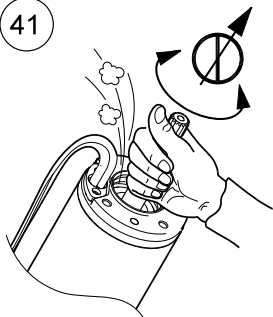
39



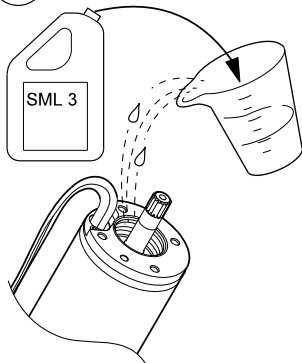
40



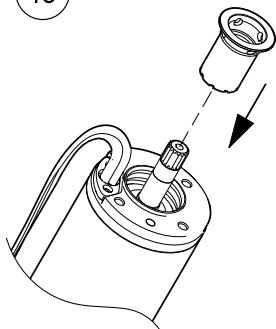
41



42

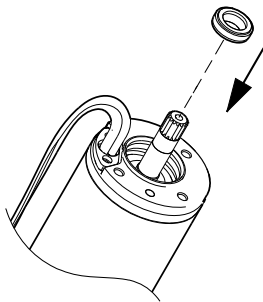


43



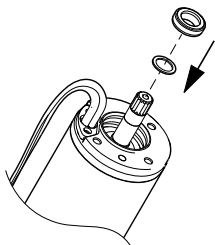
44

MODEL A

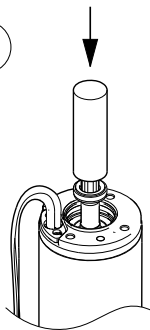


45

MODEL B



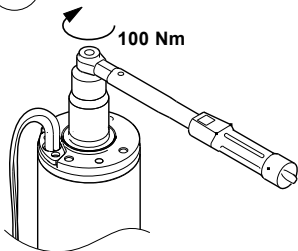
46



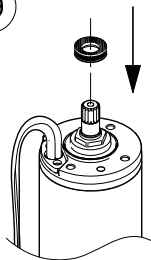
47



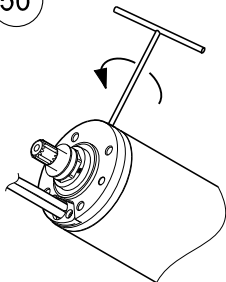
48



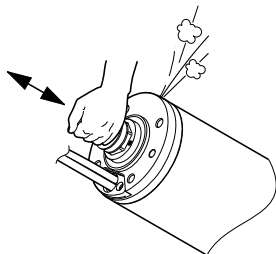
49



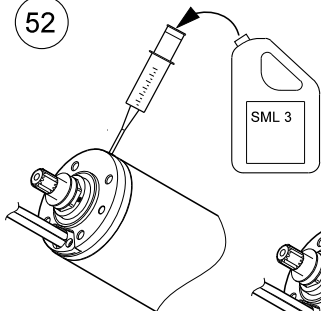
50



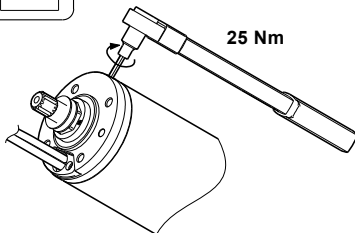
51



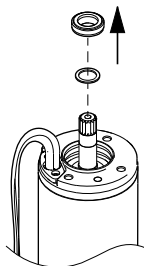
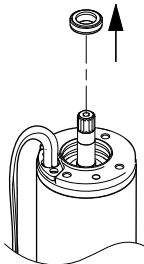
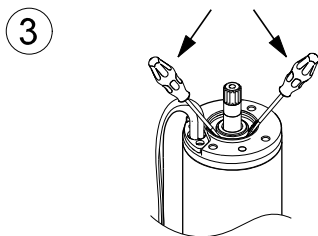
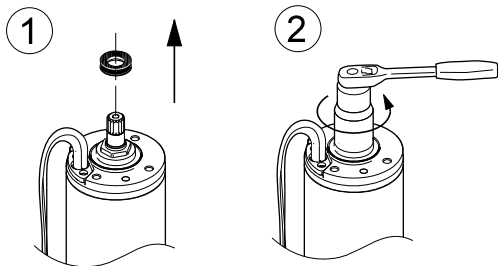
52

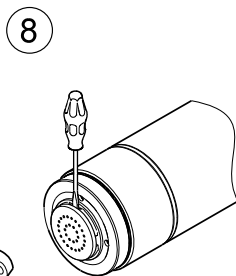
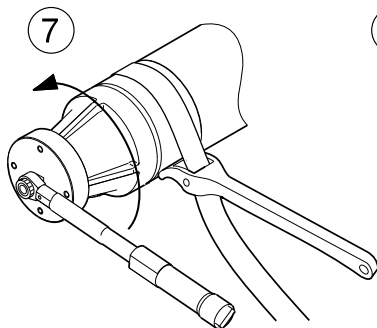
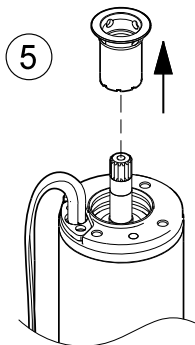


53



11-30 kW







Model A

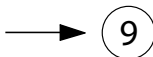


MS6REST30	No. 78195650	Model: A	SN: 10000001	PC P20639				
Phase	Voltage	Frequency	P ₂	P ₂	SF	Max. SF. C.	Cos φ	n
[-]	[V]	[Hz]	[kW]	[hp]	[-]	[A]	[-]	[min ⁻¹]
3	380	50	30		1.00	67.0	0.88	2840
3	400	50	30		1.00	65.0	0.84	2870
3	415	50	30		1.00	65.5	0.80	2880

Liquid t_{max} 30°C at 0.15 m/s / °F at 0.5 ft/s Connection D Weight: 78 kg/ lb
 Duty S1 ~~Transmitter temp.~~ p_{max} 60 bar IP 68 Ins.cl. F
 MADE IN HUNGARY

CE  US

GRUNDFOS 




9


Model B

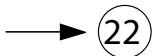


MS6REST30	No. 78195650	Model: B	SN: 10000001	PC P20639				
Phase	Voltage	Frequency	P ₂	P ₂	SF	Max. SF. C.	Cos φ	n
[-]	[V]	[Hz]	[kW]	[hp]	[-]	[A]	[-]	[min ⁻¹]
3	380	50	30		1.00	67.0	0.88	2840
3	400	50	30		1.00	65.0	0.84	2870
3	415	50	30		1.00	65.5	0.80	2880

Liquid t_{max} 30°C at 0.15 m/s / °F at 0.5 ft/s Connection D Weight: 78 kg/ lb
 Duty S1 ~~Transmitter temp.~~ p_{max} 60 bar IP 68 Ins.cl. F
 MADE IN HUNGARY

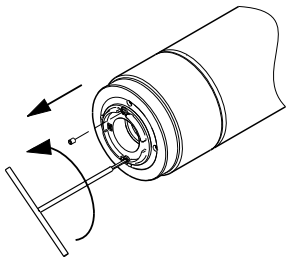
CE  US

GRUNDFOS 

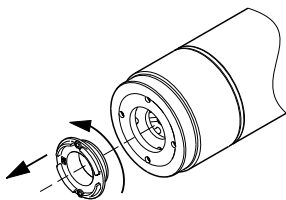


22

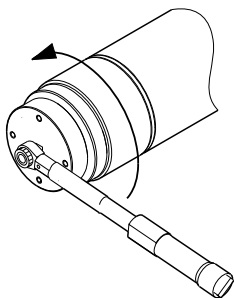
9



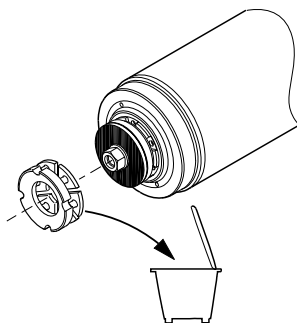
10



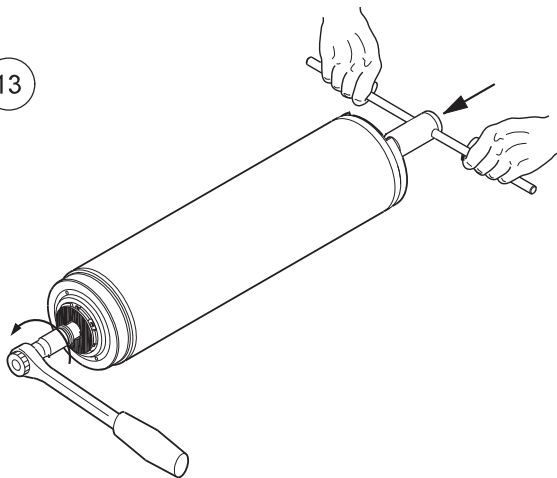
11



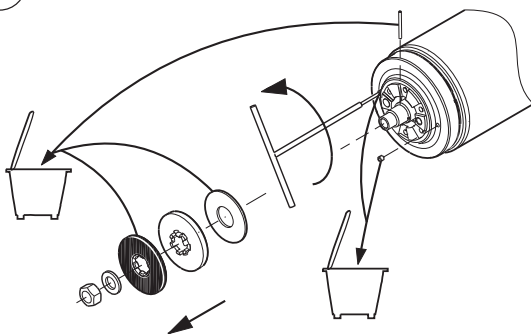
12



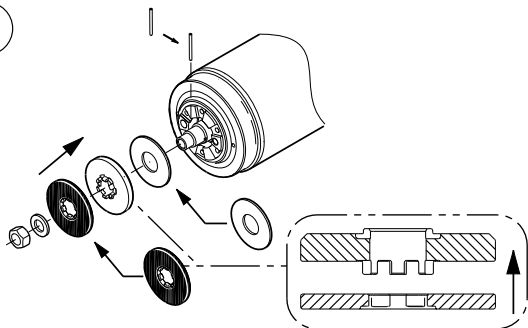
13



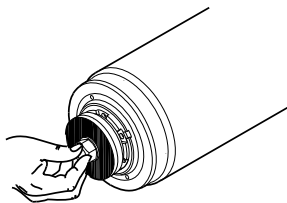
14



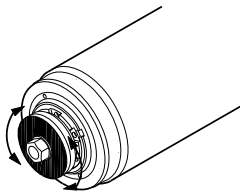
15



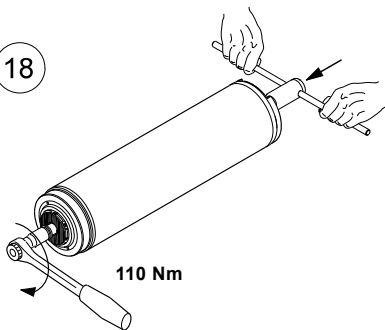
16



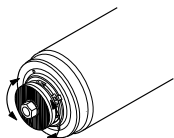
17



18



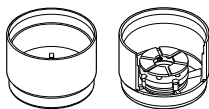
19



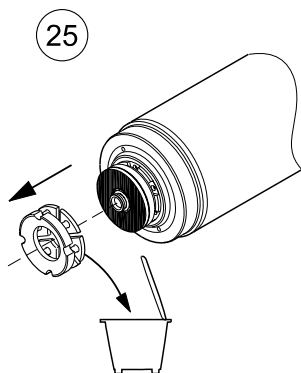
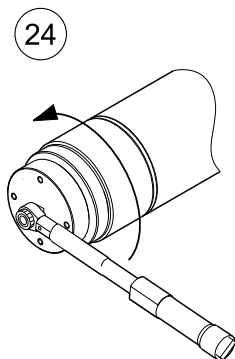
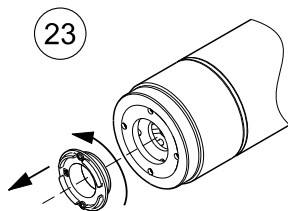
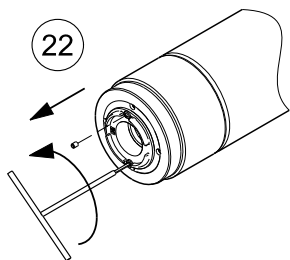
20



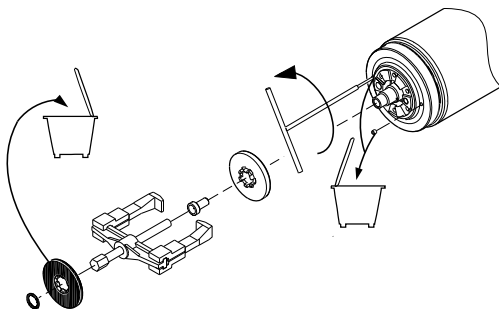
21



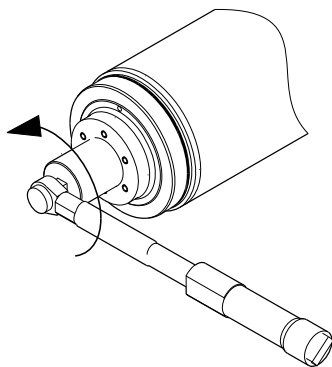
21 ✓ → 39



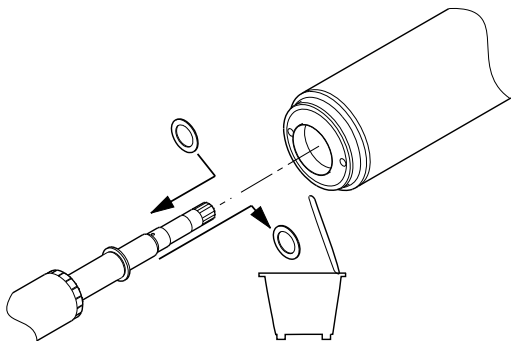
26



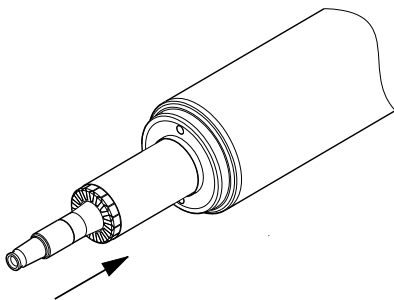
27



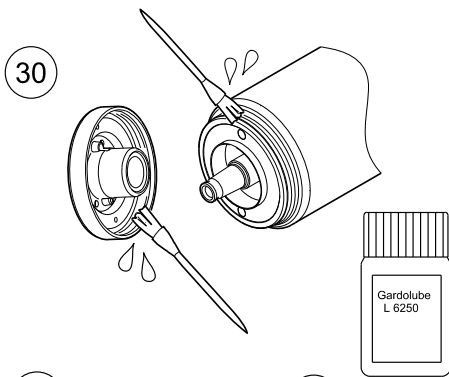
28



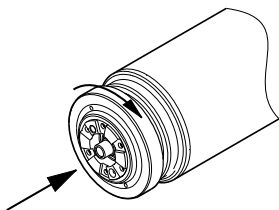
29



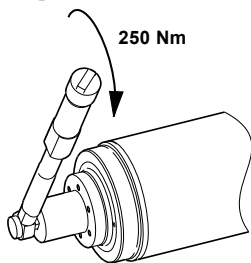
TM04 5330 3009



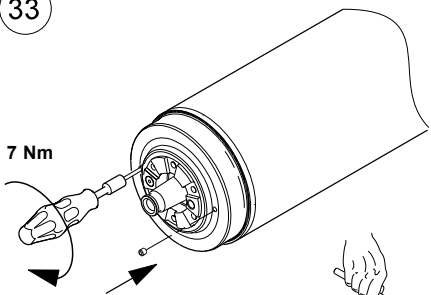
31



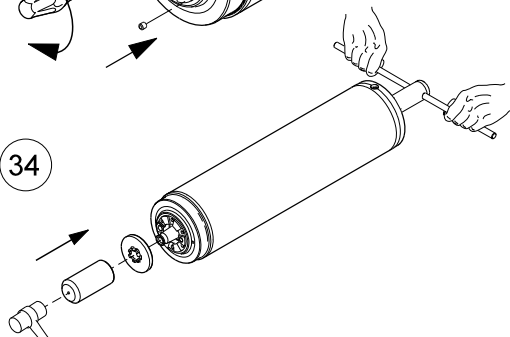
32



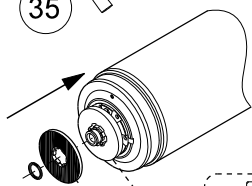
33



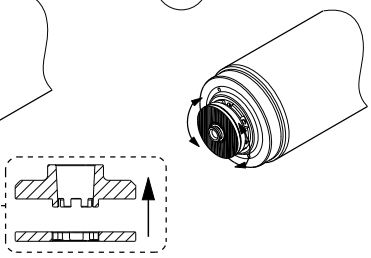
34



35

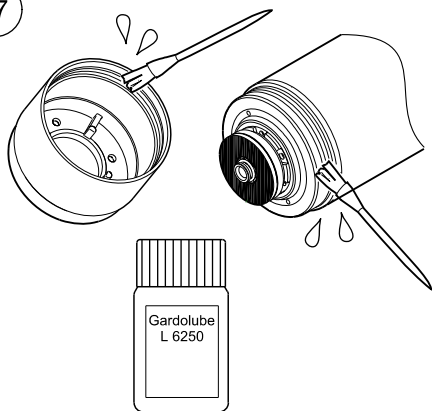


36

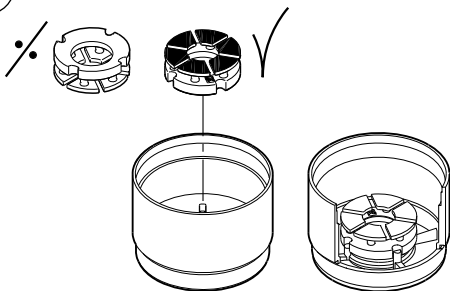


TM04 5332 3009

37

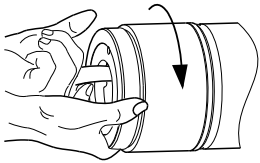


38

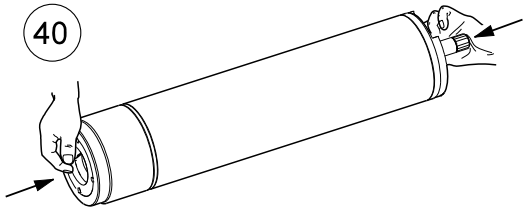


38 ✓ → 39

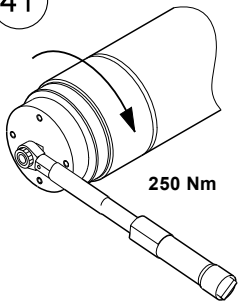
39



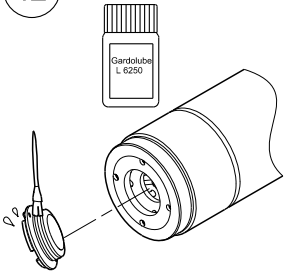
40



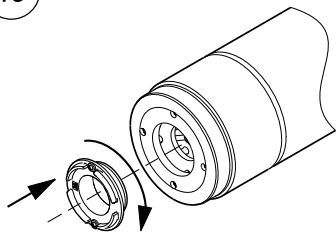
41



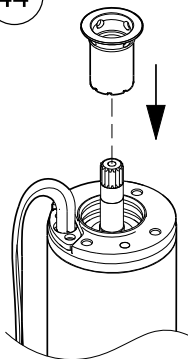
42



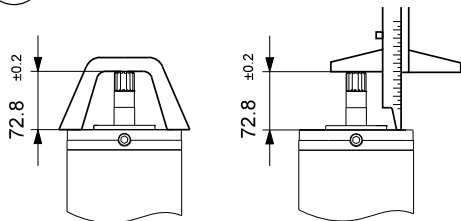
43



44



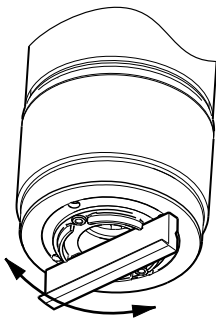
45



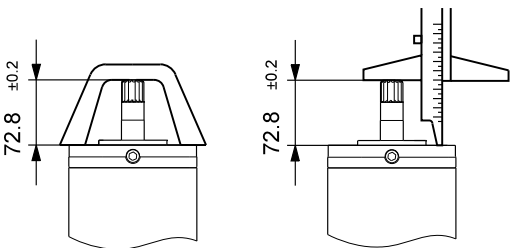
72.8 ± 0.2 mm ✓ → 48

72.8 ± 0.2 mm % → 46

46

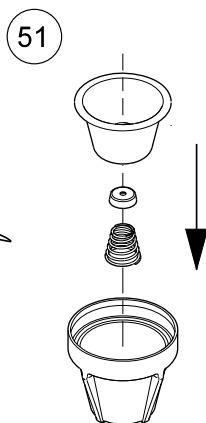
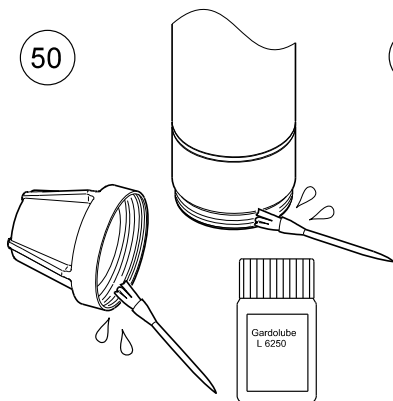
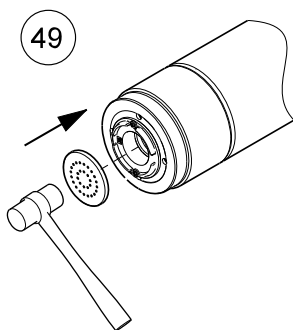
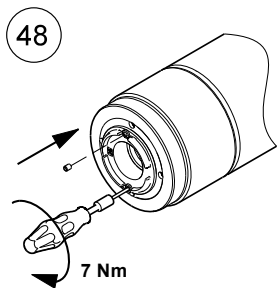


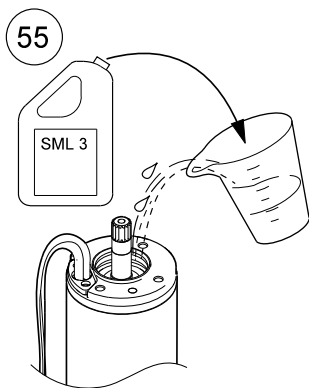
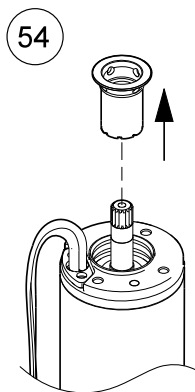
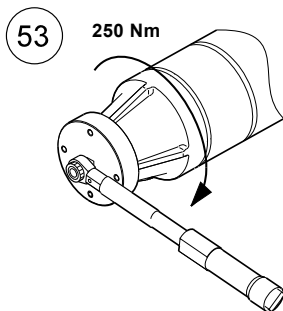
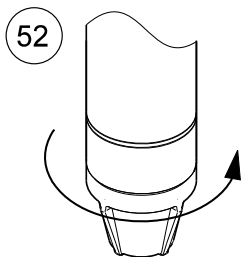
47



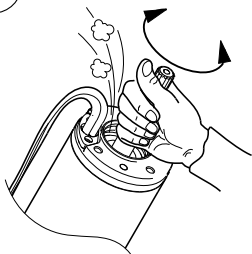
72.8 ±0.2 mm ✓ → (48)

72.8 ±0.2 mm % → (46)

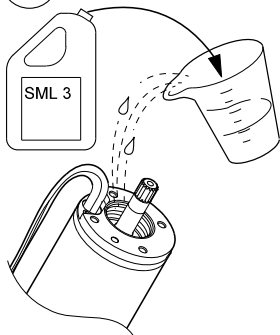




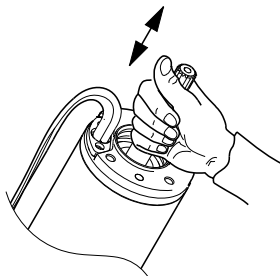
56

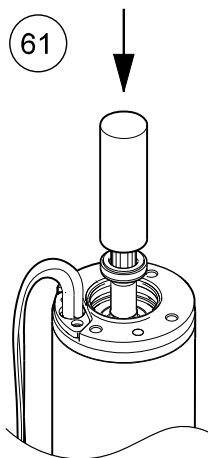
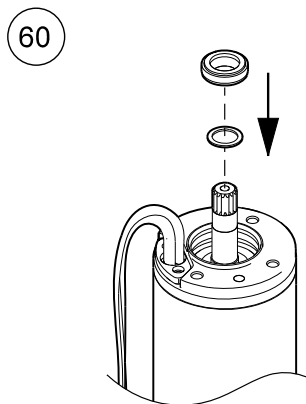
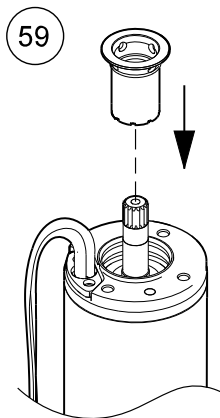


57

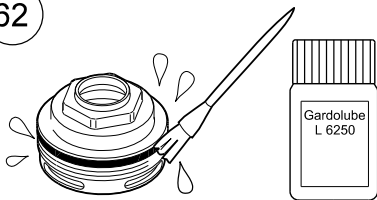


58

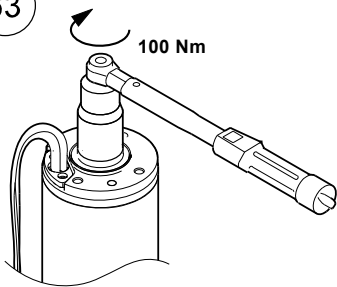




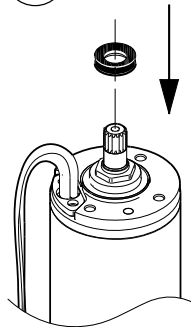
62



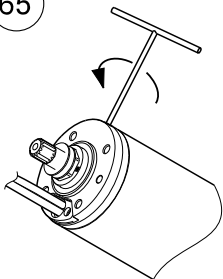
63



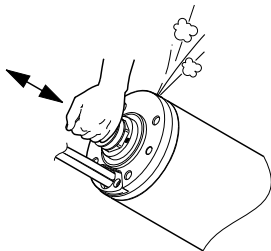
64



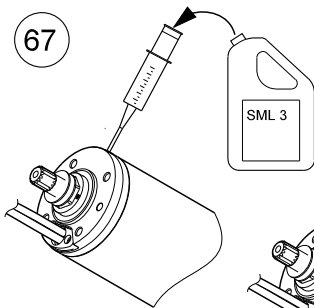
65



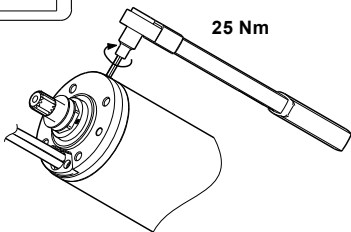
66



67



68



Argentina

Bombas GRUNDFOS de Argentina S.A.
Phone: +54-3327 414 444
Telefax: +54-3327 411 111

Australia

GRUNDFOS Pumps Pty. Ltd.
Phone: +61-8-8461-4611
Telefax: +61-8-8340 0155

Austria

GRUNDFOS Pumpen Vertrieb Ges.m.b.H.
Tel.: +43-6246-883-0
Telefax: +43-6246-883-30

Belgium

N.V. GRUNDFOS Bellux S.A.
Tél.: +32-3-870 7300
Télécopie: +32-3-870 7301

Belorussia

Представительство ГРУНДФОС в Минске
Тел.: (37517) 233 97 65
Факс: (37517) 233 97 69

Bosnia/Herzegovina

GRUNDFOS Sarajevo
Phone: +387 33 713 290
Telefax: +387 33 659 079
e-mail: grundfos@bih.net.ba

Brazil

Mark GRUNDFOS Ltda.
Phone: +55-11 4393 5533
Telefax: +55-11 4343 5015

Bulgaria

GRUNDFOS Pumpen Vertrieb
Phone: +359 2963 3820,
2963 5653
Telefax: +359 2963 1305

Canada

GRUNDFOS Canada Inc.
Phone: +1-905 829 9533
Telefax: +1-905 829 9512

China

GRUNDFOS Pumps (Shanghai) Co. Ltd.
Phone: +86-021-612 252 22
Telefax: +86-021-612 253 33

Croatia

GRUNDFOS CROATIA d.o.o.
Phone: +385 1 6595 400
Telefax: +385 1 6595 499

Czech Republic

GRUNDFOS s.r.o.
Phone: +420-585-716 111
Telefax: +420-585-716 299

Denmark

GRUNDFOS DK A/S
Tlf.: +45-87 50 50 50
E-mail: info_GDK@grundfos.com
www.grundfos.com/DK

Estonia

GRUNDFOS Pumps Eesti OÜ
Tel: + 372 606 1690
Fax: + 372 606 1691

Finland

OY GRUNDFOS Pumput AB
Phone: +358-3066 5650
Telefax: +358-3066 56550

France

Pompes GRUNDFOS Distribution S.A.
Tél.: +33-4 74 82 15 15
Télécopie: +33-4 74 94 10 51

Germany

GRUNDFOS GMBH
Tel.: +49-(0) 211 929 69-0
e-mail: info@grundfos.de
Service in Deutschland:
e-mail: kundendienst@grundfos.de

Greece

GRUNDFOS Hellas A.E.B.E.
Phone: +0030-210-66 83 400
Telefax: +0030-210-66 46 273

Hong Kong

GRUNDFOS Pumps (Hong Kong) Ltd.
Phone: +852-27861706/
27861741
Telefax: +852-27858664

Hungary

GRUNDFOS Hungária Kft.
Phone: +36-23 511 110
Telefax: +36-23 511 111

India

GRUNDFOS Pumps India Private Limited
Phone: +91-44 2496 6800

Indonesia

PT GRUNDFOS Pompa
Phone: +62-21-460 6909
Telefax: +62-21-460 6910/
460 6901

Ireland

GRUNDFOS (Ireland) Ltd.
Phone: +353-1-4089 800
Telefax: +353-1-4089 830

Italy

GRUNDFOS Pompe Italia S.r.l.
Tel.: +39-02-95838112
Telefax: +39-02-95309290/
95838461

Japan

GRUNDFOS Pumps K.K.
Phone: +81-35-448 1391
Telefax: +81-35-448 9619

Korea

GRUNDFOS Pumps Korea Ltd.
Phone: +82-2-5317 600
Telefax: +82-2-5633 725

Latvia

SIA GRUNDFOS Pumps Latvia
Tālr.: + 371 714 9640, 7 149 641
Fakss: + 371 914 9646

Lithuania

GRUNDFOS Pumps UAB
Tel: + 370 52 395 430
Fax: + 370 52 395 431

Malaysia

GRUNDFOS Pumps Sdn. Bhd.
Phone: +60-3-5569 2922
Telefax: +60-3-5569 2866

México

Bombas GRUNDFOS de México S.A. de C.V.
Phone: +52-81-8144 4000
Telefax: +52-81-8144 4010

Netherlands

GRUNDFOS Netherlands
Tel.: +31-88-478 6336
Telefax: +31-88-478 6332

New Zealand

GRUNDFOS Pumps NZ Ltd.
Phone: +64-9-415 3240
Telefax: +64-9-415 3250

Norway

GRUNDFOS Pumper A/S
Tlf.: +47-22 90 47 00
Telefax: +47-22 32 21 50

Poland

GRUNDFOS Pompy Sp. z o.o.
Tel: (+48-61) 650 13 00
Fax: (+48-61) 650 13 50

Portugal

Bombas GRUNDFOS Portugal, S.A.
Tel.: +351-21-440 76 00
Telefax: +351-21-440 76 90

România

GRUNDFOS Pompe România SRL
Phone: +40 21 200 4100
E-mail: romania@grundfos.ro

Russia

ООО Грундфос
Тел. (+7) 495 737 30 00, 564 88 00
E-mail: grundfos.moscow@grundfos.com

Serbia

GRUNDFOS Predstavništvo Beograd
Phone: +381 11 26 47 877,
11 26 47 496
Telefax: +381 11 26 48 340

Singapore

GRUNDFOS (Singapore) Pte. Ltd.
Phone: +65-6865 1222
Telefax: +65-6861 8402

Slovenia

GRUNDFOS PUMPEN VERTRIEB Ges.m.b.H.,
Phone: +386 1 568 0610
Telefax: +386 1 568 0619

Spain

Bombas GRUNDFOS España S.A.
Tel.: +34-91-848 8800
Telefax: +34-91-628 0465

Sweden

GRUNDFOS AB
Tel.: +46(0)771-32 23 00
Telefax: +46(0)31-331 94 60

Switzerland

GRUNDFOS Pumpen AG
Tel.: +41-1-806 8111
Telefax: +41-1-806 8115

Taiwan

GRUNDFOS Pumps (Taiwan) Ltd.
Phone: +886-4-2305 0868
Telefax: +886-4-2305 0878

Thailand

GRUNDFOS (Thailand) Ltd.
Phone: +66-2-725 8999
Telefax: +66-2-725 8998

Turkey

GRUNDFOS POMPA San. ve Tic. Ltd. Sti.
Phone: +90 - 262-679 7979
Telefax: +90 - 262-679 7905
E-mail: satis@grundfos.com

Ukraine

ТОВ ГРУНДФОС УКРАЇНА
Тел.: (+38 044) 390 40 50
Факс.: (+38 044) 390 40 59

United Arab Emirates

GRUNDFOS Gulf Distribution
Phone: +971-4- 8815 166
Telefax: +971-4-8815 136

United Kingdom

GRUNDFOS Pumps Ltd.
Phone: +44-1525-850000
Telefax: +44-1525-850011

U.S.A.

GRUNDFOS Pumps Corporation
Phone: +1-913-227-3400
Telefax: +1-913-227-3500

Usbekistan

Представительство ГРУНДФОС в Ташкенте
Телефон: (3712) 55-68-15
Факс: (3712) 53-36-35

Being responsible is our foundation
Thinking ahead makes it possible
Innovation is the essence

96163823 1209	126
Repl. 96163823 1007	