

NK/NKG INSTALLATION CHECK LIST

Client name: _____

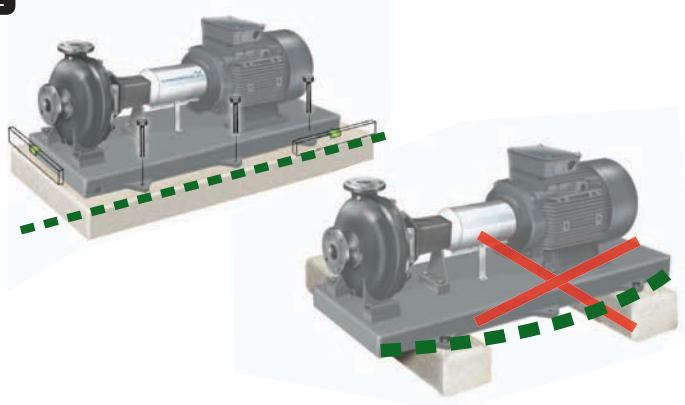
Type	GRUNDFOS		
Model	_____		
Q	m ³ /h	H	m
n	min ⁻¹		_____
p/t	bar/°C _{MAX}		_____
			CE 96145329

5



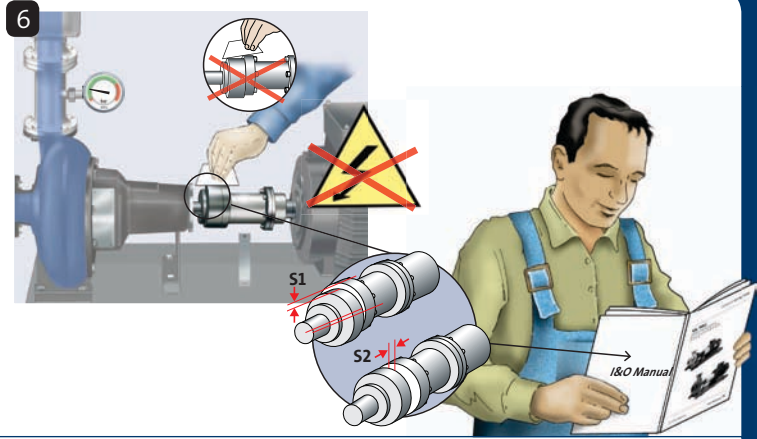
Date: _____ Sign & Company: _____

2



Date: _____ Sign & Company: _____

6



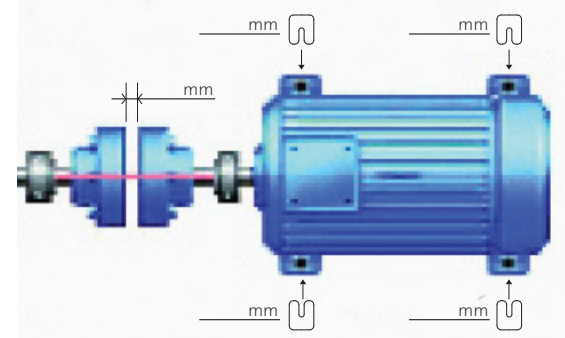
Date: _____ Sign & Company: _____

3



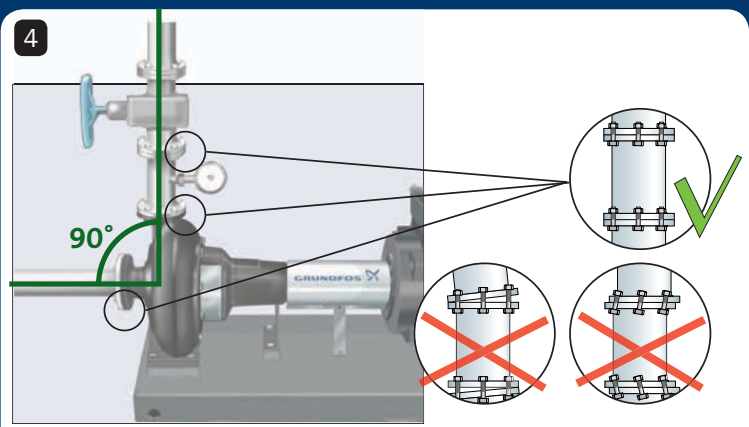
Date: _____ Sign & Company: _____

7



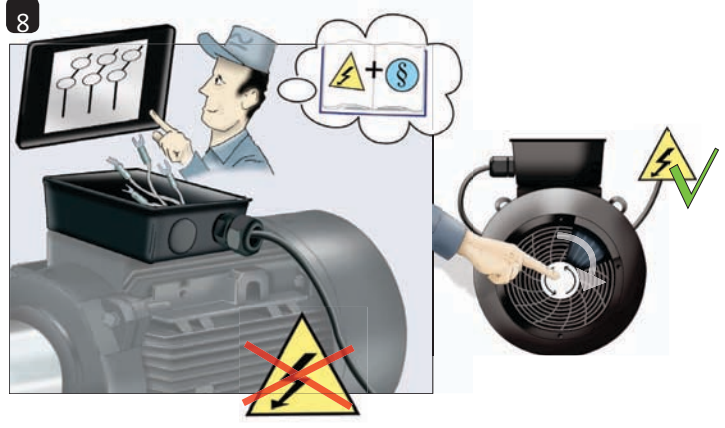
Date: _____ Sign & Company: _____

4



Date: _____ Sign & Company: _____

8



Date: _____ Sign & Company: _____