

## 27. DWK

## DWK.O

## 50/60 Hz

## Bearing

Pos.	Pump type [kW]	0.75-2.2	3.7	5.5-7.5	11-15
	Description/Kit No	96884154	96884155	96884156	96884157
102	Stop ring	1	1	1	1
153	Lower bearing	1	1	1	1
153a	Lower bearing	-	-	1	1
154	Upper bearing	1	1	1	1

## Cable entry

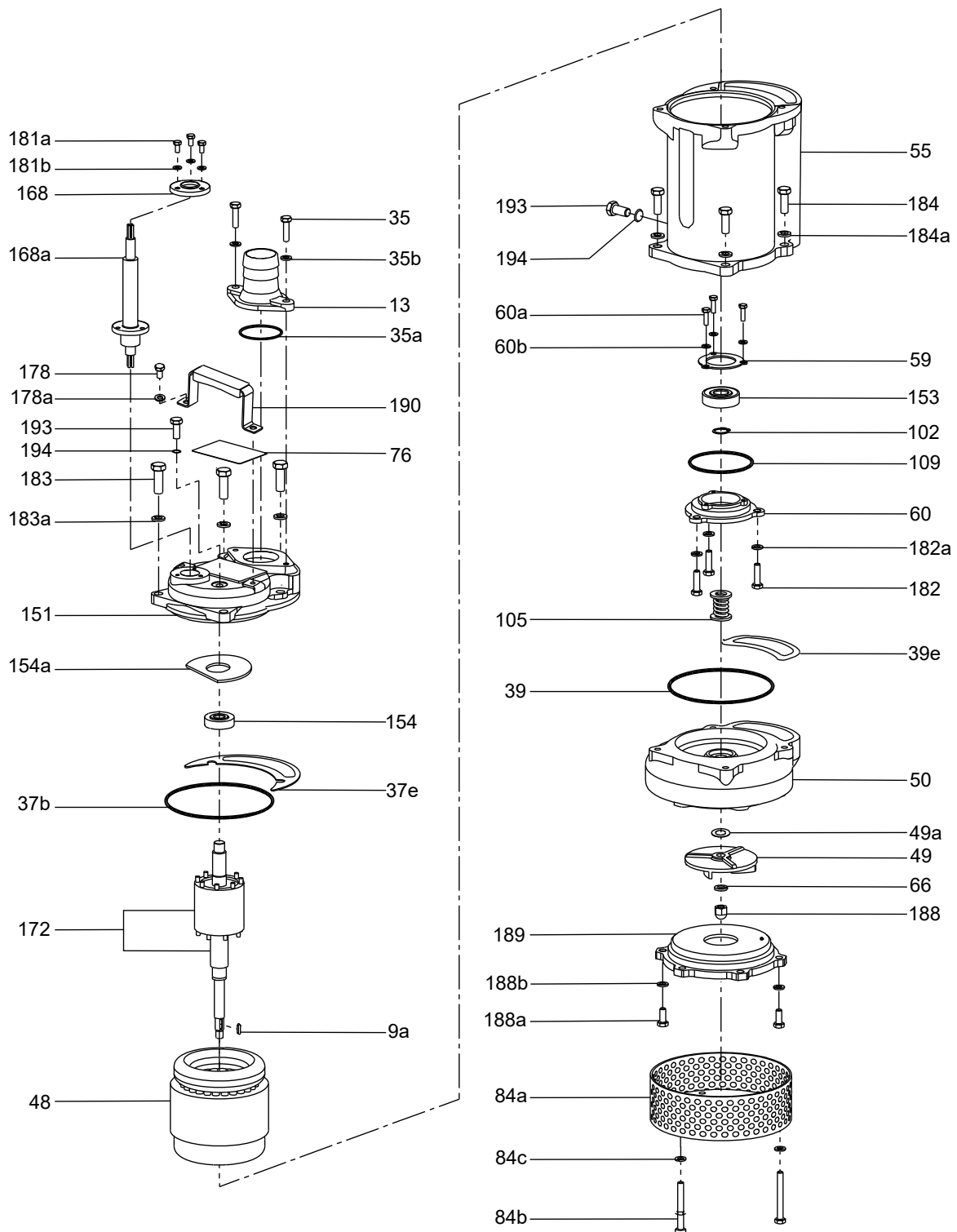
Voltage [V]		220-240							
Pump type [kW]		0.75	3.7	5.5	5.5	7.5	11	11	
		2.2				7.5	15	15	
Pos.	Version	Standard R 60 Hz	R 50 Hz	All	All	All	All	All	All
Connection		DOL	DOL	DOL	DOL	Y-D	DOL	DOL	Y-D
Description/Kit No		96884246	96884387	96884226	96884227	96936873	96884228	96884229	96936874
181a	Hex. bolt	3	3	2	2	2	2	2	2
181b	Washer	3	3	2	2	2	2	2	2
198b	Cable bush	-	-	2	2	2	2	2	2
198a	Ring	-	-	2	2	2	2	2	2
168	Cable gland	-	-	1	1	1	1	1	1
168b	Stuffing box	1	1	-	-	-	-	-	-
168a	Rubber moulding	1	1	-	-	-	-	-	-
524	Cable sleeve s	14	10	8	8	11	8	10	13
525	Shrinkable sleeve s	14	10	8	8	11	8	10	13
526	Electric tape	1	1	1	1	1	1	1	1

Voltage [V]		380-415								
[kW]		0.75		3.7	5.5	5.5	7.5	11	11	
Pump type		2.2				7.5	15	15		
Pos.	Version	Standard R 60 Hz	R 50 Hz	Standard R 60 Hz	R 50 Hz	All	All	All	All	All
Connection		DOL	DOL	DOL	DOL	DOL	Y-D	DOL	Y-D	DOL
Description/Kit No		96884246	96884387	96883702	96884230	96884231	96936873	96884227	96936873	96884228
168	Cable gland	1	1	1	1	1	1	1	1	1
168b	Stuffing box	1	1	-	-	-	-	-	-	-
181	Power cable [m]	10	10	10	10	10	10	10	10	10
181a	Screw	3	3	2	2	2	2	2	2	2
181b	Washer	3	3	2	2	2	2	2	2	2
190a	Rubber moulding	1	1	-	-	-	-	-	-	-
198	Cable bush	-	-	2	2	2	2	2	2	2
198a	Backup ring	-	-	2	2	2	2	2	2	2
524	Cable sleeve	8	4	8	4	8	11	8	11	8
525	Shrinkable sleeve	8	4	8	4	8	11	8	11	8
526	Electric tape	1	1	1	1	1	1	1	1	1

**Repair**

	Pump type [kW]	0.75-2.2	3.7	5.5-7.5	11-15
Pos.	Rubber type	NBR	NBR	NBR	NBR
	Description/Kit No	96884263	96884264	96884265	96884266
39	O-ring	1	1	1	1
35a	O-ring	1	1	1	1
37b	O-ring	1	1	1	1
37e	Upper packing	1	1	1	1
39e	Lower packing	1	1	1	1
194	O-ring	1	1	1	1
193	Plug	1	1	1	1

DWK.O.6.50.075, DWK.O.6.50.15, DWK.O.6.50.22



TM044575

## Cable

		220-240							
Voltage [V]									
Pos.	Pump type [kW]	0.75	3.7	5.5	5.5	7.5	11	11	
		2.2			7.5		15	15	
	Version	Standard	R	All	All	All	All	All	All
	Connection	DOL	DOL	DOL	DOL	Y-D	DOL	DOL	Y-D
	Description/Kit No	97792261	97793030	98668512	97793013	97793032	97793022	97793027	97793029
188	Cable	10	10	10	10	10	10	10	10
168a	Cable entry	1	-	-	-	-	-	-	-
198	Cable bush	-	2	2	2	2	2	2	2

		380-415								
Voltage [V]										
Pos.	Pump type [kW]	0.75	3.7	5.5	5.5	7.5	11	11		
		2.2				7.5	15	15		
	Version	Standard R 60 Hz	R 50 Hz	Standard	R 50 Hz	R 60 Hz	All	All	All	All
	Connection	DOL	DOL	DOL	DOL	DOL	DOL	Y-D	DOL	Y-D
	Description/Kit No	97792261	97793030	98668376	98651221	97792261	97792987	97793032	97793013	97793032
188	Cable	10	10	10	10	10	10	10	10	10
168a	Cable entry	1	-	-	-	-	-	-	-	-
198	Cable bush	-	2	2	2	2	2	2	2	2

## Suction cover

		50 Hz					
Pos.	Pump type [kW]	0.75	50 / 1.5	80 / 1.5	80 / 3.7	100 / 3.7	80 / 5.5
			50 / 2.2				
			80 / 2.2				
	Description/Kit No	96884243	96884244	96884245	96884165	96884247	96884248
189	Suction cover	1	1	1	1	1	1
188a	Screw	3	3	3	3	3	3
188b	Washer	3	3	3	3	3	3

		50 Hz					
Pos.	Pump type [kW]	100 / 5.5	150 / 7.5	100 / 11	150 / 11	100 / 15	150 / 15
		100 / 7.5					
	Description/Kit No	96884249	96884250	96926120	96884251	96884258	96884252
189	Suction cover	1	1	1	1	1	1
188a	Screw	3	3	3	3	3	3
188b	Washer	3	3	3	3	3	3

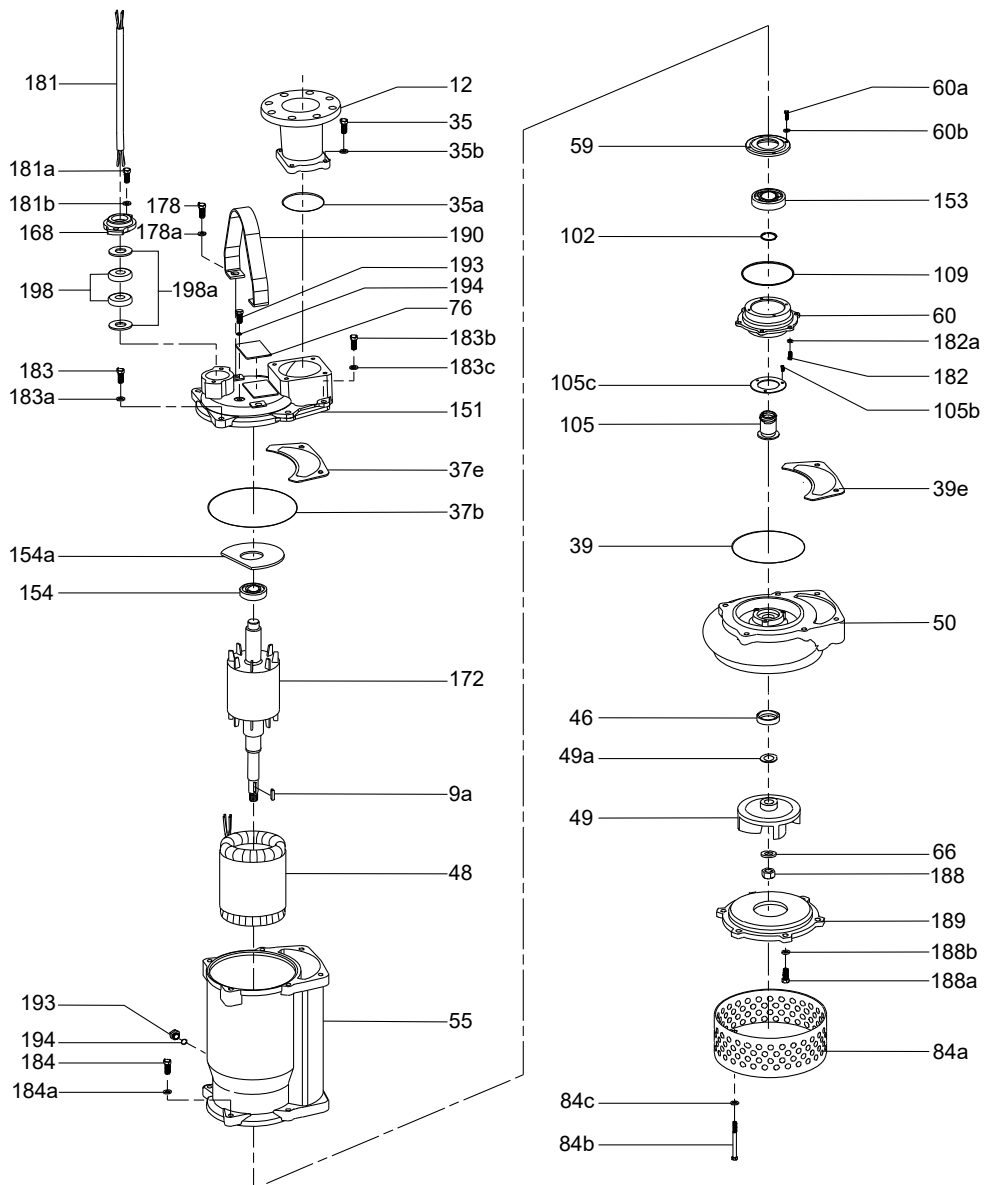
		60 Hz					
Pos.	Pump type [kW]	0.75	80 / 1.5	80 / 2.2	80 / 3.7	100 / 3.7	80 / 5.5
		50 / 1.5					
		50 / 2.2					
	Description/Kit No	96884253	96884254	96884255	96884256	96884257	96884248
189	Suction cover	1	1	1	1	1	1
188a	Screw	3	3	3	3	3	3
188b	Washer	3	3	3	3	3	3

		60 Hz					
Pos.	Pump type [kW]	100 / 5.5	100 / 7.5	150 / 7.5	100 / 11	150 / 11	100 / 15
	Description/Kit No	96884258	96884259	96884260	96884261	96884250	96884262
189	Suction cover	1	1	1	1	1	1
188a	Screw	3	3	3	3	3	3
188b	Washer	3	3	3	3	3	3

**Shaft seal**

Pos.	Pump type [kW]	0.75-2.2	3.7	5.5-15
	Description/Kit No	96884174	96884175	96884176
105	Mechanical seal	1	1	1
105a	Seal stopper	-	1	1
105b	Screw	-	3	3

DWK.O.6.80.15, DWK.O.6.80.22, DWK.O.10.80.37, DWK.O.10.100.37



TM044708

## Impeller

		50 Hz standard version							
Pos.	Pump type [kW]	0.75	50 / 1.5	80 / 1.5	50 / 2.2	80 / 3.7	100 / 3.7	80 / 5.5	100 / 5.5
	Description/Kit No	96884134	96884135	96884232	96884136	96884137	96884235	96884138	99045281
9a	Sunk key	1	1	1	1	1	1	1	1
46	Oil seal	-	-	-	-	1	1	2	2
49	Impeller	1	1	1	1	1	1	1	1
49a	Gap washer	2	2	2	2	2	2	2	2
66	Washer	1	1	1	1	1	1	1	1
188	Cap nut	1	1	1	1	1	1	1	1

		50 Hz standard version					
Pos.	Pump type [kW]	100 / 7.5	150 / 7.5	100 / 11	150 / 11	100 / 15	150 / 15
	Description/Kit No	99045280	96884236	96884140	96884237	96884141	96884238
9a	Sunk key	1	1	1	1	1	1
46	Oil seal	2	2	2	2	2	2
49	Impeller	1	1	1	1	1	1
49a	Gap washer	2	2	2	2	2	2
66	Washer	1	1	1	1	1	1
188	Cap nut	1	1	1	1	1	1

		50 Hz R version							
Pos.	Pump type [kW]	0.75	50 / 1.5	80 / 1.5	50 / 2.2	80 / 3.7	100 / 3.7	80 / 5.5	100 / 5.5
	Description/Kit No	96936846	96936847	96936848	96936849	96936850	96936851	96936852	99047368
9a	Sunk key	1	1	1	1	1	1	1	1
46	Oil seal	-	-	-	-	1	1	2	2
49	Impeller	1	1	1	1	1	1	1	1
49a	Gap washer	2	2	2	2	2	2	2	2
66	Washer	1	1	1	1	1	1	1	1
188	Cap nut	1	1	1	1	1	1	1	1

## Impeller

		50 Hz R version					
Pos.	Pump type [kW]	100 / 7.5	150 / 7.5	100 / 11	150 / 11	100 / 15	150 / 15
	Description/Kit No	99045279	96936855	96936856	96936857	96936858	96936859
9a	Sunk key	1	1	1	1	1	1
46	Oil seal	2	2	2	2	2	2
49	Impeller	1	1	1	1	1	1
49a	Gap washer	2	2	2	2	2	2
66	Washer	1	1	1	1	1	1
188	Cap nut	1	1	1	1	1	1

		60 Hz standard version							
Pos.	Pump type [kW]	0.75	50 / 1.5	80 / 1.5	50 / 2.2	80 / 2.2	80 / 3.7	100 / 3.7	80 / 5.5
	Description/Kit No	96884144	96884145	96884234	96884146	96884202	96884147	96884239	96884148
09a	Sunk key	1	1	1	1	1	1	1	1
46	Oil seal	-	-	-	-	-	1	1	2
49	Impeller	1	1	1	1	1	1	1	1
49a	Gap washer	2	2	2	2	2	2	2	2
66	Washer	1	1	1	1	1	1	1	1
188	Cap nut	1	1	1	1	1	1	1	1

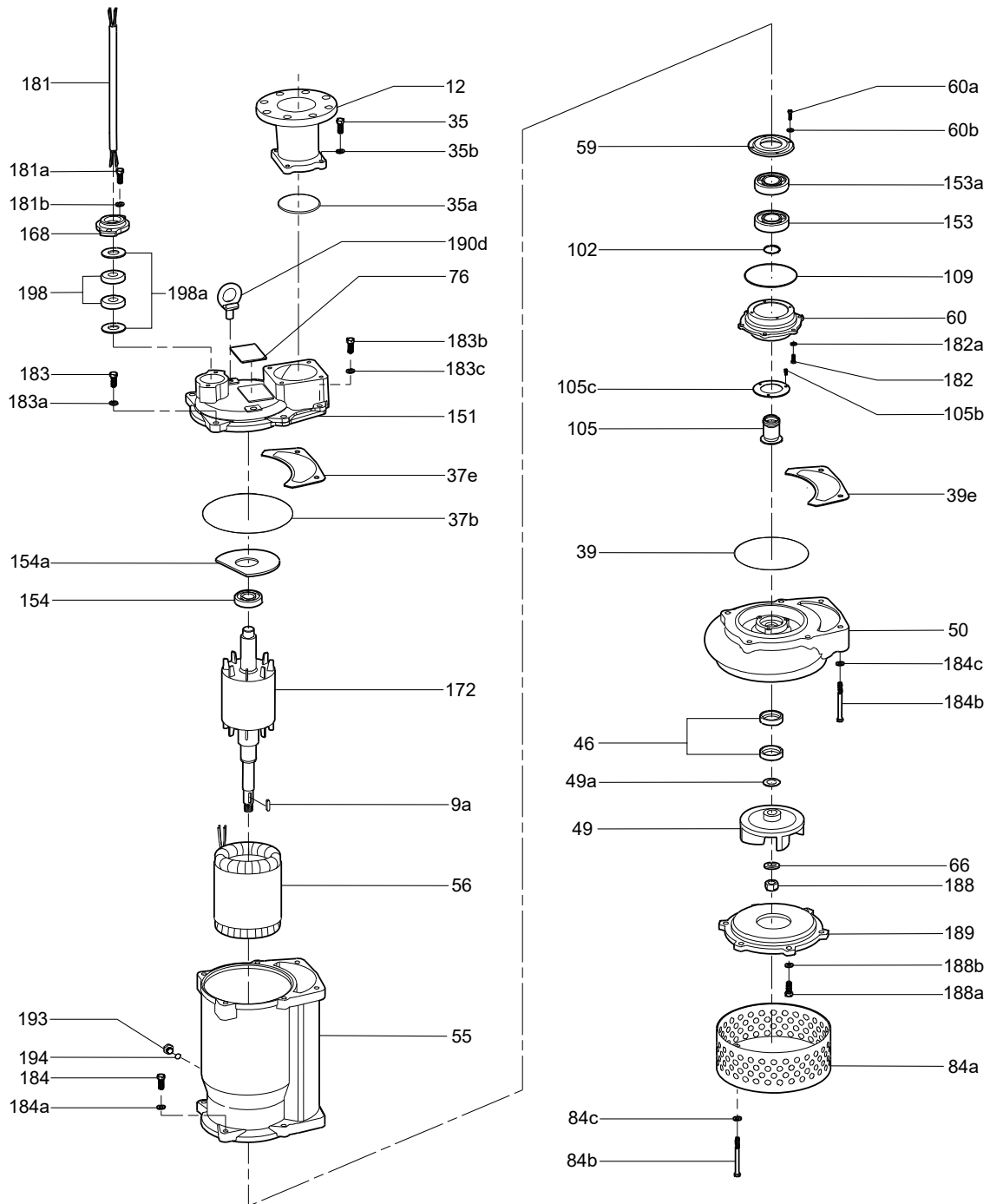
60 Hz standard version								
Pos.	Pump type [kW]	100 / 5.5	100 / 7.5	150 / 7.5	100 / 11	150 / 11	100 / 15	150 / 15
	Description/Kit No	96884240	96884149	96884241	96884150	96884242	96884139	96957540
9a	Sunk key	1	1	1	1	1	1	1
46	Oil seal	2	2	2	2	2	2	2
49	Impeller	1	1	1	1	1	1	1
49a	Gap washer	2	2	2	2	2	2	2
66	Washer	1	1	1	1	1	1	1
188	Cap nut	1	1	1	1	1	1	1

60 Hz R version									
Pos.	Pump type [kW]	0.75	50 / 1.5	80 / 1.5	50 / 2.2	80 / 2.2	80 / 3.7	100 / 3.7	80 / 5.5
	Description/Kit No	96936860	96936861	96936862	96936863	96936864	96936865	96936866	96936867
9a	Sunk key	1	1	1	1	1	1	1	1
46	Oil seal	-	-	-	-	-	1	1	2
49	Impeller	1	1	1	1	1	1	1	1
49a	Gap washer	2	2	2	2	2	2	2	2
66	Washer	1	1	1	1	1	1	1	1
188	Cap nut	1	1	1	1	1	1	1	1

60 Hz R version								
Pos.	Pump type [kW]	100 / 5.5	100 / 7.5	150 / 7.5	100 / 11	150 / 11	100 / 15	150 / 15
	Description/Kit No	96936868	96936869	96936870	96936853	96936871	96936854	96936872
9a	Sunk key	1	1	1	1	1	1	1
46	Oil seal	2	2	2	2	2	2	2
49	Impeller	1	1	1	1	1	1	1
49a	Gap washer	2	2	2	2	2	2	2
66	Washer	1	1	1	1	1	1	1
188	Cap nut	1	1	1	1	1	1	1



DWK.O.13.80.55, DWK.O.13.100.55, DWK.O.13.100.75, DWK.O.13.100.110, DWK.O.13.100.150, DWK.O.13.150.150



TM044577

**DWK.E****Bearing**

Pos.	Pump type [kW]	Bearing	
		100 / 22	150 / 37
		150 / 22	200 / 37
		150 / 30	150 / 45
		200 / 30	200 / 45
			150 / 55
			200 / 55
			200 / 75
			200 / 90
Description/Kit No		96884331	96884332
102	Stop ring	1	1
153	Lower bearing	1	1
153a	Lower bearing	1	1
154	Upper bearing	1	1

**Shaft seal**

Pos.	Pump type [kW]	Shaft seal	
		100 / 22	150 / 37
		150 / 22	200 / 37
		150 / 30	150 / 45
		200 / 30	200 / 45
			150 / 55
			200 / 55
			200 / 75
			200 / 90
Description/Kit No		96884177	96884333
105	Mechanical seal	1	1
105a	Seal stopper	1	1
105b	Screw	3	3

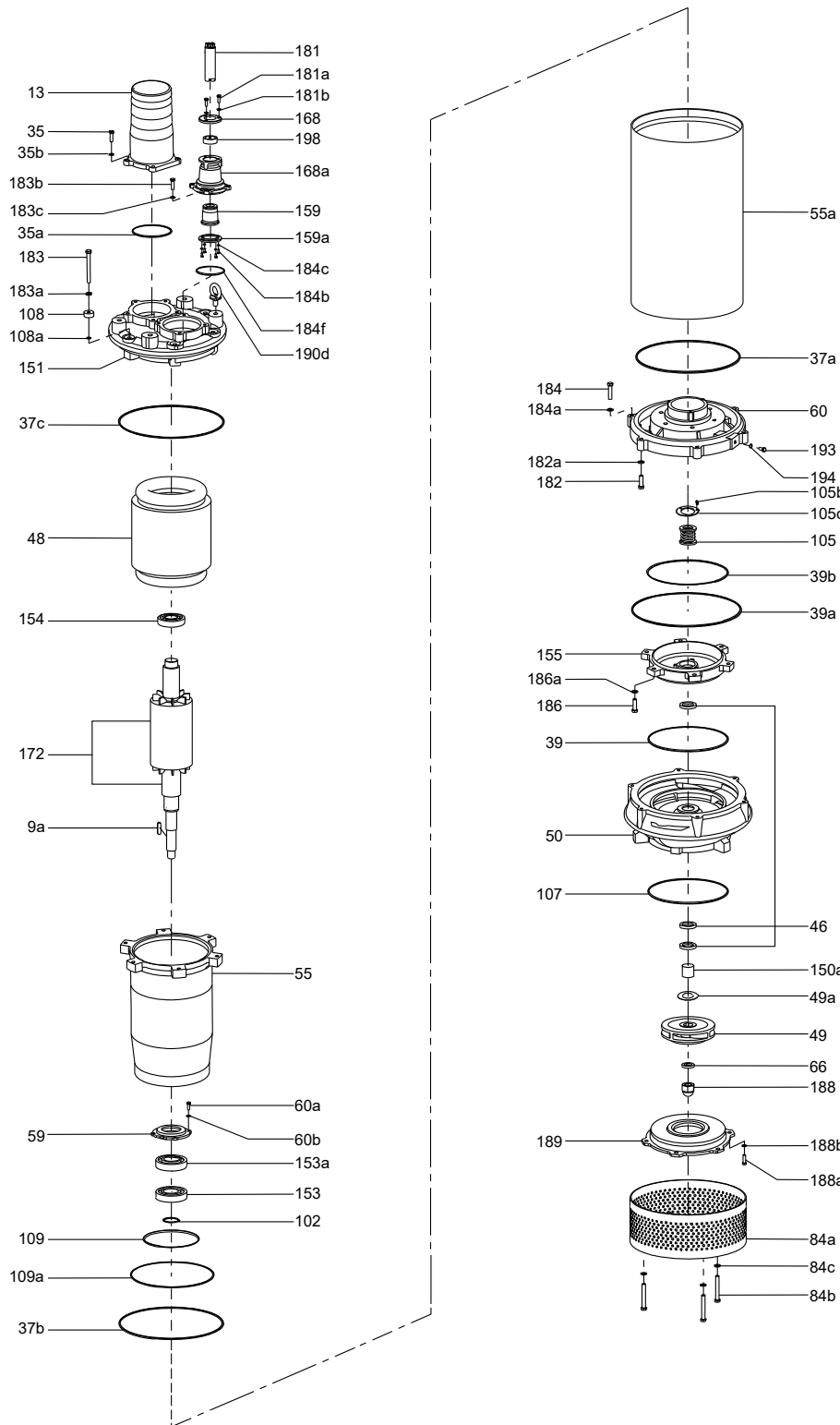
## Cable and cable entry

Voltage [V]	220-240				380-415						
	22	30	45	75	22	30	45	55	75	90	
Pump type [kW]	37				37						
Pos. Connection	Y-D	Y-D	Y-D	Y-D	Y-D	Y-D	Y-D	Y-D	Y-D	Y-D	
Kit No	96884306	96884304	96884307	96884305	96884308	96884306	96884303	96884304	96884307	96884305	
Description											
184f	O-ring	1	1	1	2	1	1	1	1	1	2
159	Cable rubber	1	1	1	2	1	1	1	1	1	2
159a	Stuffing box cover	1	1	1	2	1	1	1	1	1	2
168	Cable gland	1	1	1	2	1	1	1	1	1	2
168a	Stuffing box	1	1	1	2	1	1	1	1	1	2
181	Power cable [m]	10	10	10	10 x 2	10	10	10	10	10	10 x 2
181a	Screw	3	3	3	6	3	3	3	3	3	6
181b	Washer	3	3	3	6	3	3	3	3	3	6
183b	Screw	4	4	4	8	4	4	4	4	4	8
183c	Washer	4	4	4	8	4	4	4	4	4	8
184b	Screw	4	4	4	8	4	4	4	4	4	8
184c	Washer	4	4	4	8	4	4	4	4	4	8
198	Cable bush	1	1	1	2	1	1	1	1	1	2
524	Cable sleeve	13	13	13	16	13	13	13	13	13	16
525	Shrinkable sleeve	13	13	13	16	13	13	13	13	13	16
526	Electric tape, roll	1	1	1	1	1	1	1	1	1	1

## Seal kit

Pos.	Pump type [kW]	Standard version			R version			
		100 / 22	150 / 37	200 / 90	100 / 22	150 / 22	150 / 37	200 / 90
		150 / 22	200 / 37			150 / 30	200 / 37	
		150 / 30	150 / 45			200 / 30	150 / 45	
		200 / 30	200 / 45				200 / 45	
			150 / 55				150 / 55	
			200 / 55				200 / 55	
			200 / 75				200 / 75	
	Rubber type	NBR	NBR	NBR	NBR	NBR	NBR	NBR
	Description/Kit No	96884327	96884328	96884330	96884321	96884322	96884324	96884326
35c	Gasket	1	-	-	1		-	-
37a	O-ring	1	1	1	1	1	1	1
37b	O-ring	1	1	1	1	1	1	1
37c	O-ring	1	1	1	1	1	1	1
39	O-ring	1	1	1	1	1	-	-
39a	O-ring	1	1	1	1	1	1	1
39b	O-ring	1	1	1	1	1	1	1
39c	O-ring	1	1	2	1	1	1	2
107	O-ring	1	1	1	1	1	1	1
109	O-ring	1	1	1	1	1	1	1
109a	O-ring	1	1	1	1	1	1	1
185	O-ring	-	1	-	-	-	1	-

DWK.E.10.100.220, DWK.E.10.150.220



TM044576

**Impeller**

50 Hz standard version												
Pos.	Pump type [kW]	100 / 22	150 / 30	200 / 30	150 / 37	200 / 37	150 / 45	200 / 45	150 / 55	200 / 55	200 / 75	200 / 90
		150 / 22										
Kit No		96884323	96926015	97533111	96926017	96926018	96926019	96926020	97533113	96884319	96926021	96926022
Description												
9a	Sunk key	1	1	1	1	1	1	1	1	1	1	1
46	Oil seal	3	3	3	3	3	3	3	3	3	3	3
49	Impeller	1	1	1	1	1	1	1	1	1	1	1
49a	Gap washer	2	2	2	2	2	2	2	2	2	2	2
66	Washer	1	1	1	1	1	1	1	1	1	1	1
188	Cap nut	1	1	1	1	1	1	1	1	1	1	1

50 Hz R version												
Pos.	Pump type [kW]	100 / 22	150 / 30	200 / 30	150 / 37	200 / 37	150 / 45	200 / 45	150 / 55	200 / 55	200 / 75	200 / 90
		150 / 22										
Kit No		96936875	96936876	97533115	96936877	96936878	96936879	96936880	97533116	96936881	96936882	96936883
Description												
9a	Sunk key	1	1	1	1	1	1	1	1	1	1	1
46	Oil seal	3	3	3	3	3	3	3	3	3	3	3
49	Impeller	1	1	1	1	1	1	1	1	1	1	1
49a	Gap washer	2	2	2	2	2	2	2	2	2	2	2
66	Washer	1	1	1	1	1	1	1	1	1	1	1
188	Cap nut	1	1	1	1	1	1	1	1	1	1	1

60 Hz standard version												
Pos.	Pump type [kW]	100 / 22	150 / 30	200 / 30	150 / 37	200 / 37	150 / 45	200 / 45	150 / 55	200 / 55	200 / 75	200 / 90
		150 / 22										
Kit No		96884310	96884311	97533118	96884313	97533119	96884315	96884316	96884317	96884318	96884319	97533120
Description												
9a	Sunk key	1	1	1	1	1	1	1	1	1	1	1
46	Oil seal	3	3	3	3	3	3	3	3	3	3	3
49	Impeller	1	1	1	1	1	1	1	1	1	1	1
49a	Gap washer	2	2	2	2	2	2	2	2	2	2	2
66	Washer	1	1	1	1	1	1	1	1	1	1	1
188	Cap nut	1	1	1	1	1	1	1	1	1	1	1

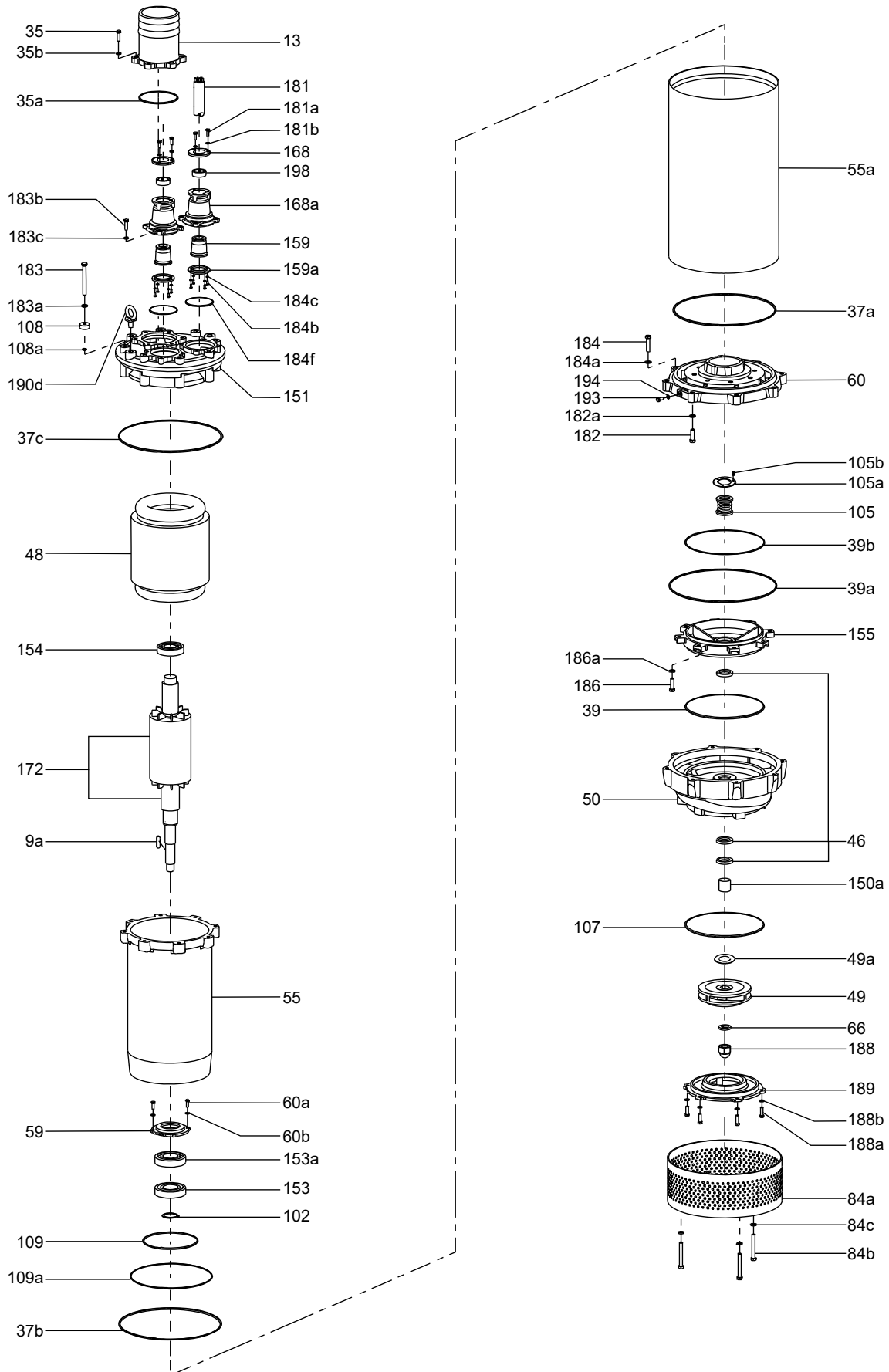
60 Hz R version												
Pos.	Pump type [kW]	100 / 22	150 / 30	200 / 30	150 / 37	200 / 37	150 / 45	200 / 45	150 / 55	200 / 55	200 / 75	200 / 90
		150 / 22										
Kit No		96936884	96936885	97533124	96936886	97533122	96936887	96936888	96936889	96936890	96936881	97533123
Description												
9a	Sunk key	1	1	1	1	1	1	1	1	1	1	1
46	Oil seal	3	3	3	3	3	3	3	3	3	3	3
49	Impeller	1	1	1	1	1	1	1	1	1	1	1
49a	Gap washer	2	2	2	2	2	2	2	2	2	2	2
66	Washer	1	1	1	1	1	1	1	1	1	1	1
188	Cap nut	1	1	1	1	1	1	1	1	1	1	1

## Suction cover

		50 Hz								
Pos.	Pump type [kW]	100 / 22	150 / 30	200 / 30	150 / 37	200 / 37	150 / 45	200 / 45	150 / 55	200 / 55
		150 / 22								200 / 75
Description/Kit No		96884329	96926016	97534325	96884337	96884342	96884337	96884342	97534328	96884342
188a	Screw	6	6	6	6	6	6	6	6	6
188b	Washer	6	6	6	6	6	6	6	6	6
189	Suction cover	1	1	1	1	1	1	1	1	1

		60 Hz								
Pos.	Pump type [kW]	100 / 22	150 / 30	200 / 30	150 / 37	200 / 37	150 / 45	200 / 45	150 / 55	200 / 90
		150 / 22								200 / 55
Description/Kit No		96884334	96884335	97534353	96884337	97534355	96884339	96884342	96884340	97534356
188a	Screw	6	6	6	6	6	6	6	6	6
188b	Washer	6	6	6	6	6	6	6	6	6
189	Suction cover	1	1	1	1	1	1	1	1	1

DWK.E.10.150.300, DWK.E.10.200.300, DWK.E.10.150.370, DWK.E.10.150.450, DWK.E.10.200.370, DWK.E.10.200.450



TM044707

## DVK.H

## Bearing

Pos.	Pump type [kW]	100 / 22	150 / 45	150 / 75
		200 / 30	150 / 55	150 / 90
		Description/Kit No	96884331	96884332
102	Stop ring	1	1	1
153	Lower bearing	1	1	2
153a	Lower bearing	1	1	1
154	Upper bearing	1	1	1

## Shaft seal

Pos.	Pump type [kW]	100 / 22	100 / 37
		200 / 30	150 / 45
			150 / 55
			150 / 75
			150 / 90
Description/Kit No		96884177	96884333
105	Mechanical seal	1	1
105a	Seal stopper	1	1
105b	Screw	3	3

## Cable and cable entry

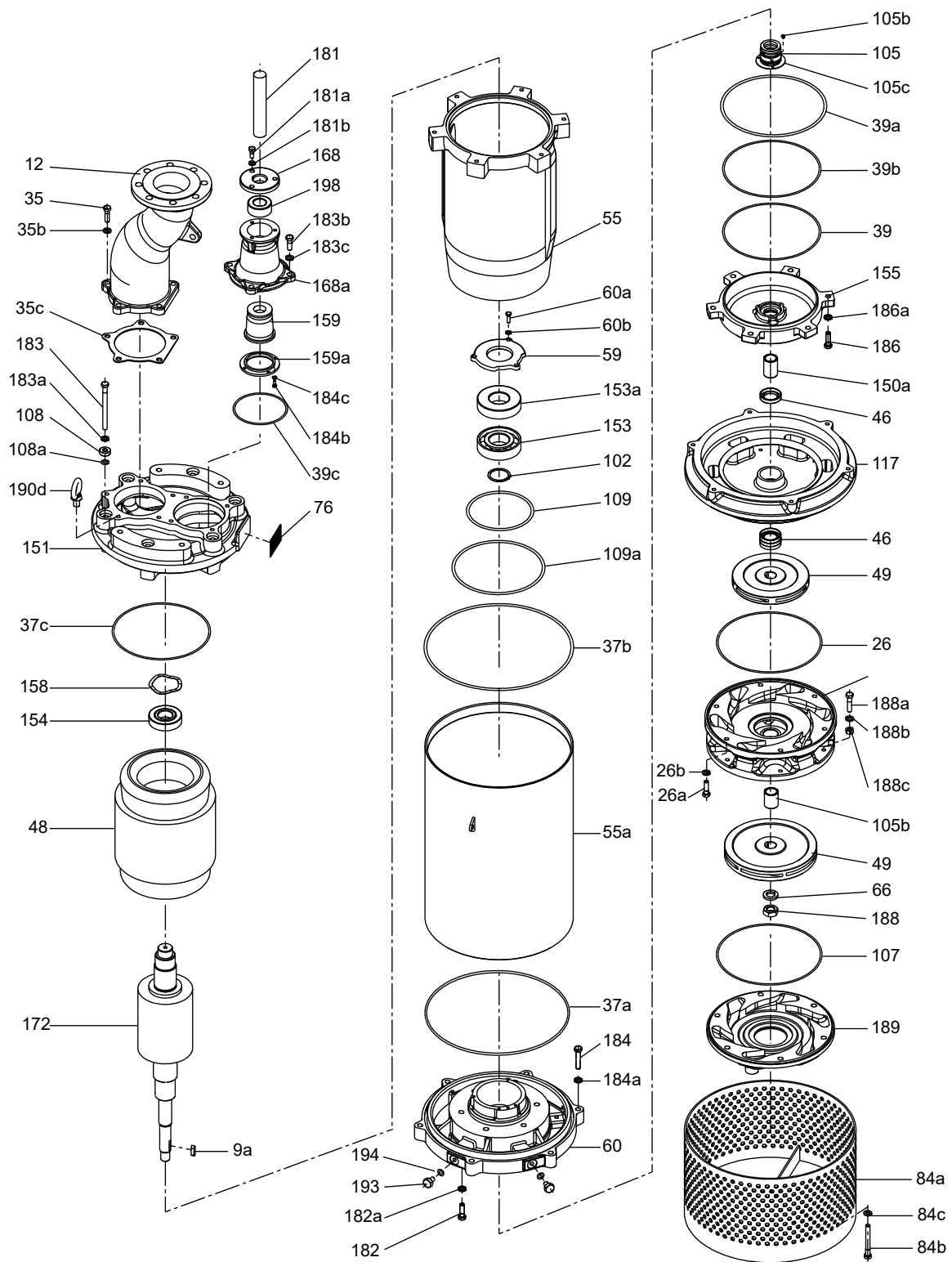
Pos.	Voltage [V]	220-240				380-415					
		Pump type [kW]				22	30	45	55	75	90
		Connection				37					
		Description/Kit No				96884308	99215617	99215617	99215623	96884307	96884305
39c	O-ring	1	1	1	2	1	1	1	1	1	2
159	Moulding Tube	1	1	1	2	1	1	1	1	1	2
159a	Stuffing box cover	1	1	1	2	1	1	1	1	1	2
168	Cable gland	1	1	1	2	1	1	1	1	1	2
168a	Stuffing box	1	1	1	2	1	1	1	1	1	2
181	Power cable	10 m	10 m	10 m	10 m	10 m	10 m	10 m	10 m	10 m	10 m
181a	Screw	3	3	3	6	3	3	3	3	3	6
181b	Washer	3	3	3	6	3	3	3	3	3	6
183b	Screw	4	4	4	8	4	4	4	4	4	8
183c	Washer	4	4	4	8	4	4	4	4	4	8
184b	Screw	4	4	4	8	4	4	4	4	4	8
184c	Washer	4	4	4	8	4	4	4	4	4	8
198	Cable bush	1	1	1	2	1	1	1	1	1	2



## Seal kit

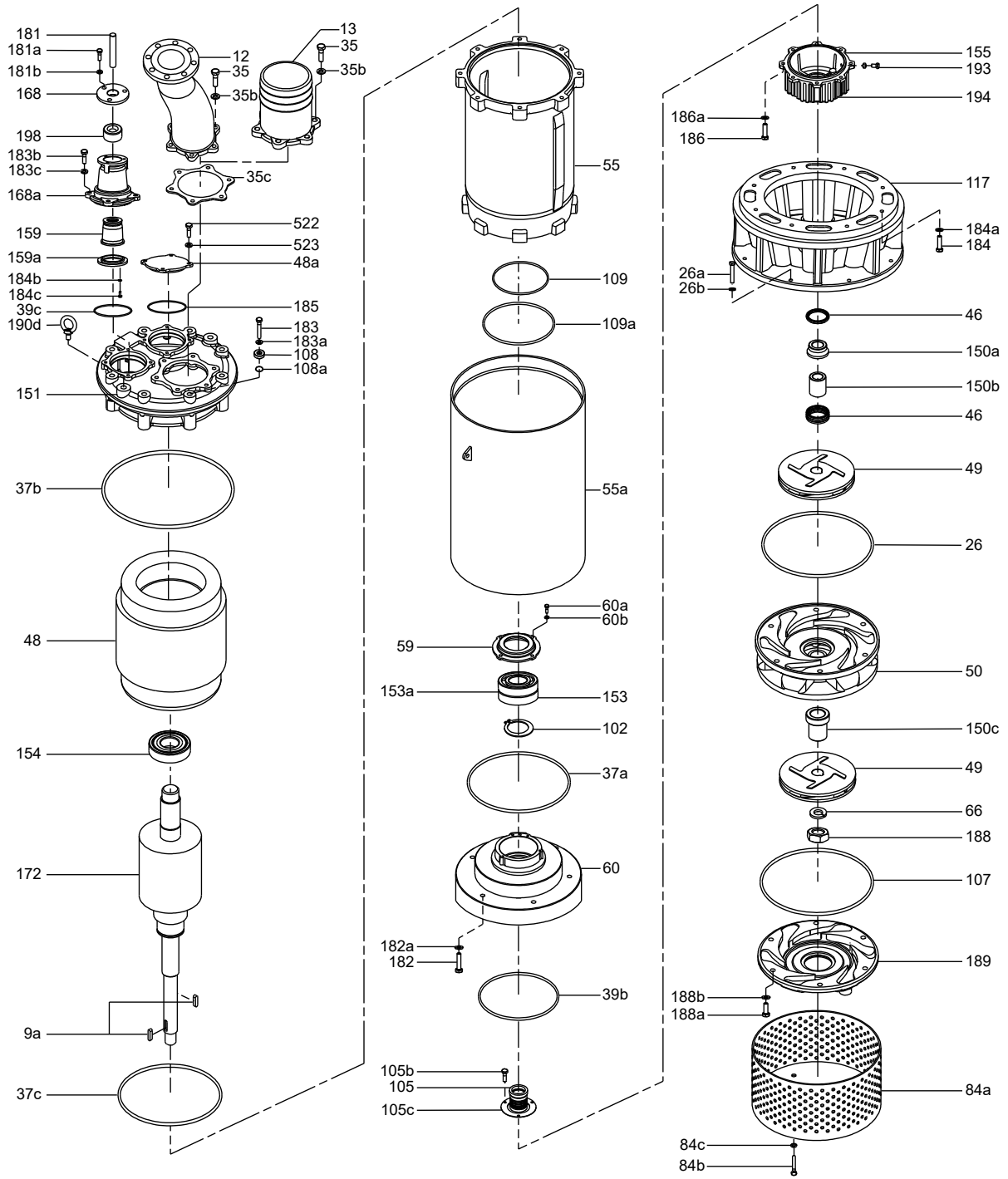
		100 / 22	100 / 37
		100 / 30	150 / 45
		150 / 55	
Pos.	Pump type [kW]	150 / 75	
		150 / 90	
Rubber type		NBR	NBR
Description/Kit No		99031211	96884328
35c	Gasket	1	1
	O-ring	3.5 x 140	1
	O-ring	3.5 x 12	6
	O-ring	3.5 x 16	-
	O-ring	3.5 x 16	8
	O-ring	5.7 x 276	1
	O-ring	5.7 x 485	-
	O-ring	5.7 x 485	2
	O-ring	5.7 x 170	1
	O-ring	5.7 x 382	-
	O-ring	5.7 x 382	1
	O-ring	5.7 x 240	1
	O-ring	5.7 x 257	-
	O-ring	5.7 x 257	1
	O-ring	5.7 x 395	1
	O-ring	5.7 x 395	-
	O-ring	5.7 x 345	-
	O-ring	5.7 x 345	1
	O-ring	3.5 x 260	1
	O-ring	3.5 x 260	-
	O-ring	3.5 x 220	-
	O-ring	3.5 x 220	1
	O-ring	3.1 x 12	1
	O-ring	3.1 x 12	1
	O-ring	3.5 x 260	1
	O-ring	3.5 x 260	-
	O-ring	3.1 x 340	
	O-ring	3.1 x 340	
	O-ring	3.1 x 395	-
	O-ring	3.1 x 395	2

DWK.H.7.100.220, DWK.H.7.100.300



TM070312

DWK.H.7.100.370, DWK.H.7.150.450, DWK.H.7.150.550



TM070313

## Impeller

		50 Hz						
Pos.	Pump type [kW]	100 / 22	100 / 30	100 / 37	100 / 45	150 / 55	150 / 75	150 / 90
	Description/Kit No	99446618	99446620	99446621	99446622	99446633	99446634	99446635
9a	Sunk key	2	2	2	2	2	2	2
46	Oil seal	3	3	3	3	3	3	3
49	Impeller	1	1	1	1	1	1	1
49a	Gap washer	2	2	2	2	2	2	2
66	Washer	1	1	1	1	1	1	1
188	Cap nut	1	1	1	1	1	1	1

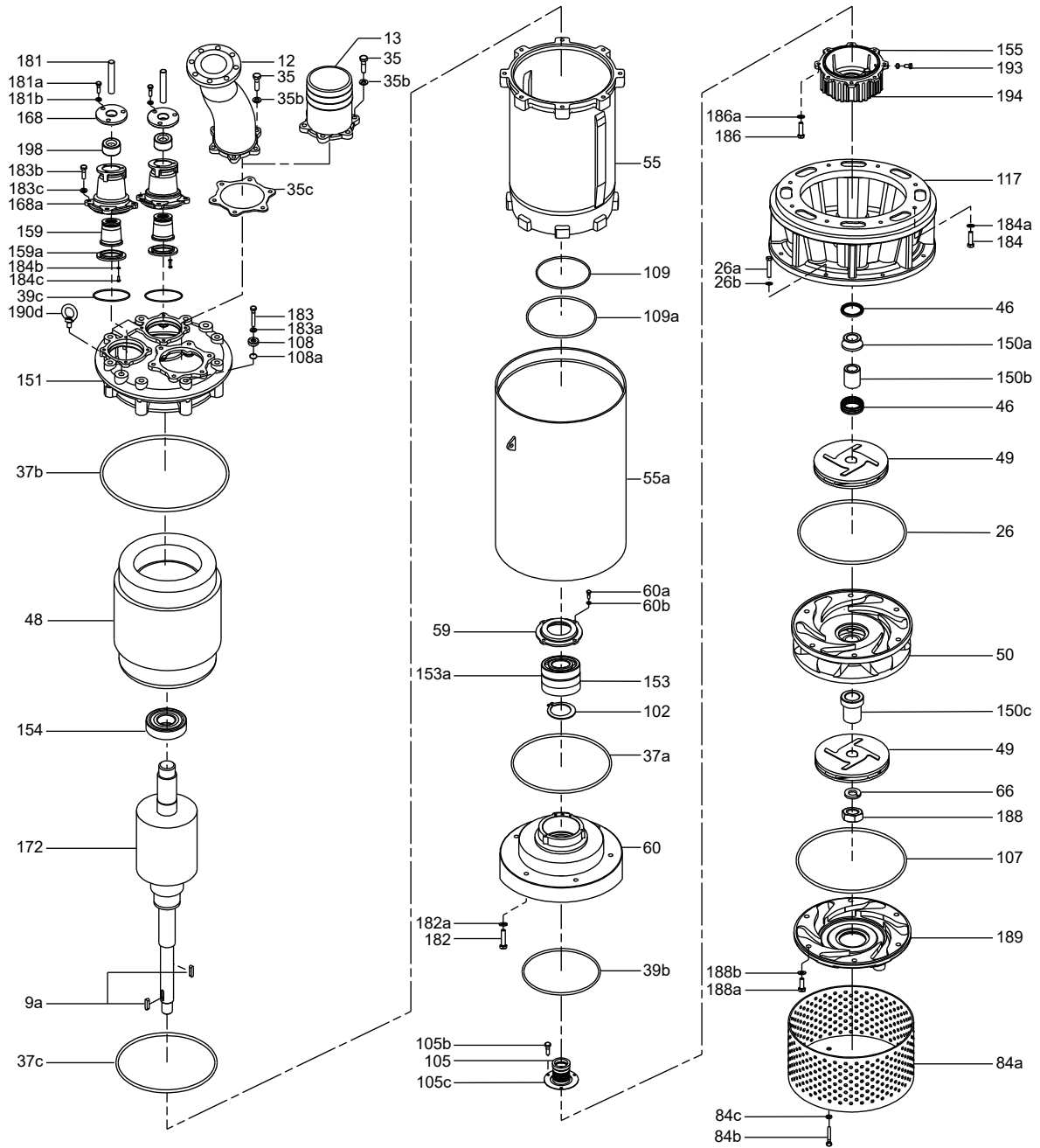
		60 Hz						
Pos.	Pump type [kW]	100 / 22	150 / 30	200 / 30	150 / 37	200 / 37	150 / 45	200 / 45
	Description/Kit No	99446636	99446637	99446638	99446639	99446640	99446641	99446642
9a	Sunk key	2	2	2	2	2	2	2
46	Oil seal	3	3	3	3	3	3	3
49	Impeller	1	1	1	1	1	1	1
49a	Gap washer	2	2	2	2	2	2	2
66	Washer	1	1	1	1	1	1	1
188	Cap nut	1	1	1	1	1	1	1

## Suction cover

		50 Hz	
Pos.	Pump type [kW]	100 / 22	100 / 37
		100 / 30	150 / 45
		150 / 55	
		150 / 75	
		150 / 90	
	Description/Kit No	96884329	96926016
188a	Screw	6	6
188b	Washer	6	6
189	Suction cover	1	1
	Nut	6	-

		60 Hz		
Pos.	Pump type [kW]	100 / 22	100 / 30	100 / 37
				150 / 45
				150 / 55
				150 / 75
				150 / 90
	Description/Kit No	994447250	99444117	99276728
188a	Screw	6	6	6
188b	Washer	6	6	6
189	Suction cover	1	1	1
	Nut	6	6	-

DWK.H.7.150.750, DWK.H.7.150.900



TM070314

## DPK

## Cable

		Voltage [V]			220-240					
Pos.	Pump type [kW]	0.75-2.2	3.7	5.5	5.5	7.5	11	11		
					7.5		15	15		
		Connection		DOL	DOL	DOL	Y-D	DOL	DOL	S/D
		Description/Kit No		97792261	98668512	97793013	97793032	97793022	97793027	97793029
188	Cable	10	10	10	10	10	10	10	10	10
168a	Cable entry	1	-	-	-	-	-	-	-	-
198	Cable bush	-	2	2	2	2	2	2	2	2

		Voltage [V]			380-415						
Pos.	Pump type [kW]	0.75-2.2	3.7	5.5	7.5	5.5	11	11	19		
						7.5	15	15			
		Connection		DOL	DOL	DOL	DOL	Y-D	Y/D	DOL	Y/D
		Description/Kit No		97792261	98668376	97792987	97793013	97793032	97793032	97793022	97793029
188	Cable	10	10	10	10	10	10	10	10	10	10
168a	Cable entry	1	-	-	-	-	-	-	-	-	-
198	Cable bush	-	2	2	2	2	2	2	2	2	2
198b	Cable bush	-	-	-	-	-	-	-	-	-	1

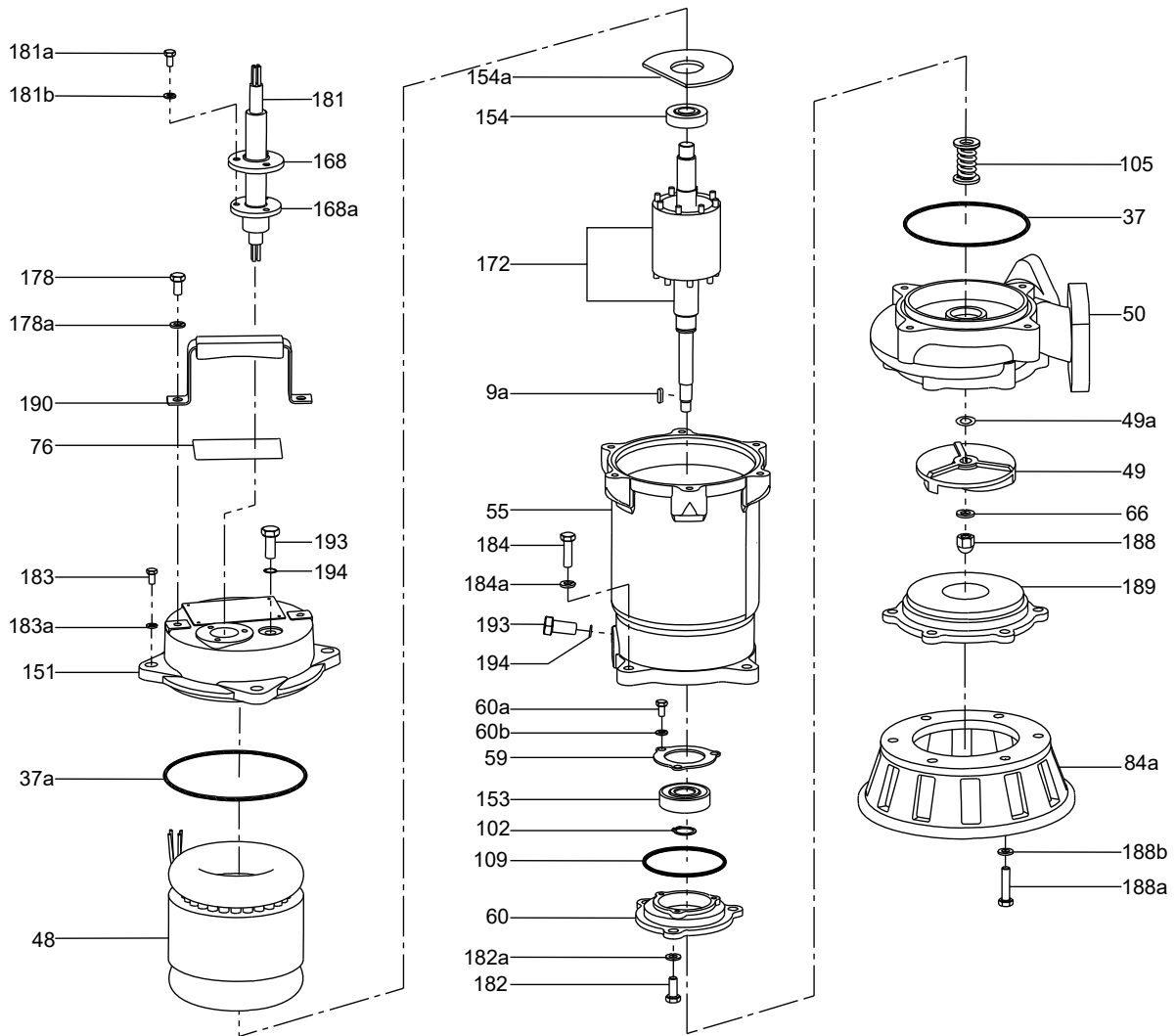
## Cable entry, cable

		Voltage [V]			220-240						
Pos.	Pump type [kW]	0.75-2.2	3.7	5.5	5.5	7.5	11	11	19		
					7.5		15	15	22		
		Connection		DOL	DOL	DOL	Y-D	DOL	DOL	Y-D	Y-D
		Description/Kit No		96884246	96884125	96884127	96936830	96884129	96884130	96936831	96884133
84b	Screw	-	-	-	-	-	-	-	-	-	6
84c	Washer	-	-	-	-	-	-	-	-	-	6
168	Cable gland	1	1	1	1	1	1	1	1	1	1
181a	Screw	3	2	2	2	2	2	2	2	2	3
181b	Washer	3	2	2	2	2	2	2	2	2	3
168a	Cable entry	1	-	-	-	-	-	-	-	-	1
181	Power Cable	-	-	-	-	-	-	-	-	-	1
159	Moulding tube	-	-	-	-	-	-	-	-	-	1
198	Cable bush	-	2	2	2	2	2	2	2	2	-
198a	Ring	-	2	2	2	2	2	2	2	2	-
198b	Cable bush	-	-	-	-	-	-	-	-	-	1
524	Cable sleeve	14	12	12	11	8	10	10	13	13	13
525	Shrinkable sleeve	14	12	12	11	8	10	10	13	13	13
526	Electric tape	1	1	1	1	1	1	1	1	1	1

		Voltage [V]			380-415					
Pos.	Pump type [kW]	0.75-2.2	3.7	5.5	5.5	7.5	11	11	19	
					7.5		15	15	22	
		Connection		DOL	DOL	DOL	Y-D	DOL	DOL	Y-D
		Description/Kit No		96884246	96884126	96884128	96936830	96884127	96884129	96884131
84b	Screw	-	-	-	-	-	-	-	-	6
84c	Washer	-	-	-	-	-	-	-	-	6
168	Cable gland	1	1	1	1	1	1	1	1	1
181a	Screw	3	2	2	2	2	2	2	2	3
181b	Washer	3	2	2	2	2	2	2	2	3
168a	Cable entry	1	-	-	-	-	-	-	-	1

Voltage [V]		380-415						
		0.75-2.2	3.7	5.5	5.5	7.5	11	19
Pump type [kW]					7.5	15		22
Pos.				11				
					15			
Connection		DOL	DOL	DOL	Y-D	DOL	DOL	Y-D
Description/Kit No		96884246	96884126	96884128	96936830	96884127	96884129	96884131
181	Power Cable	-	-	-	-	-	-	1
159	Moulding tube	-	-	-	-	-	-	1
198	Cable bush	-	2	2	2	2	2	-
198a	Ring	-	2	2	2	2	2	-
198b	Cable bush	-	-	-	-	-	-	1
524	Cable sleeve	14	14	12	11	12	8	13
525	Shrinkable sleeve	14	14	12	11	12	8	13
526	Electric tape	1	1	1	1	1	1	1

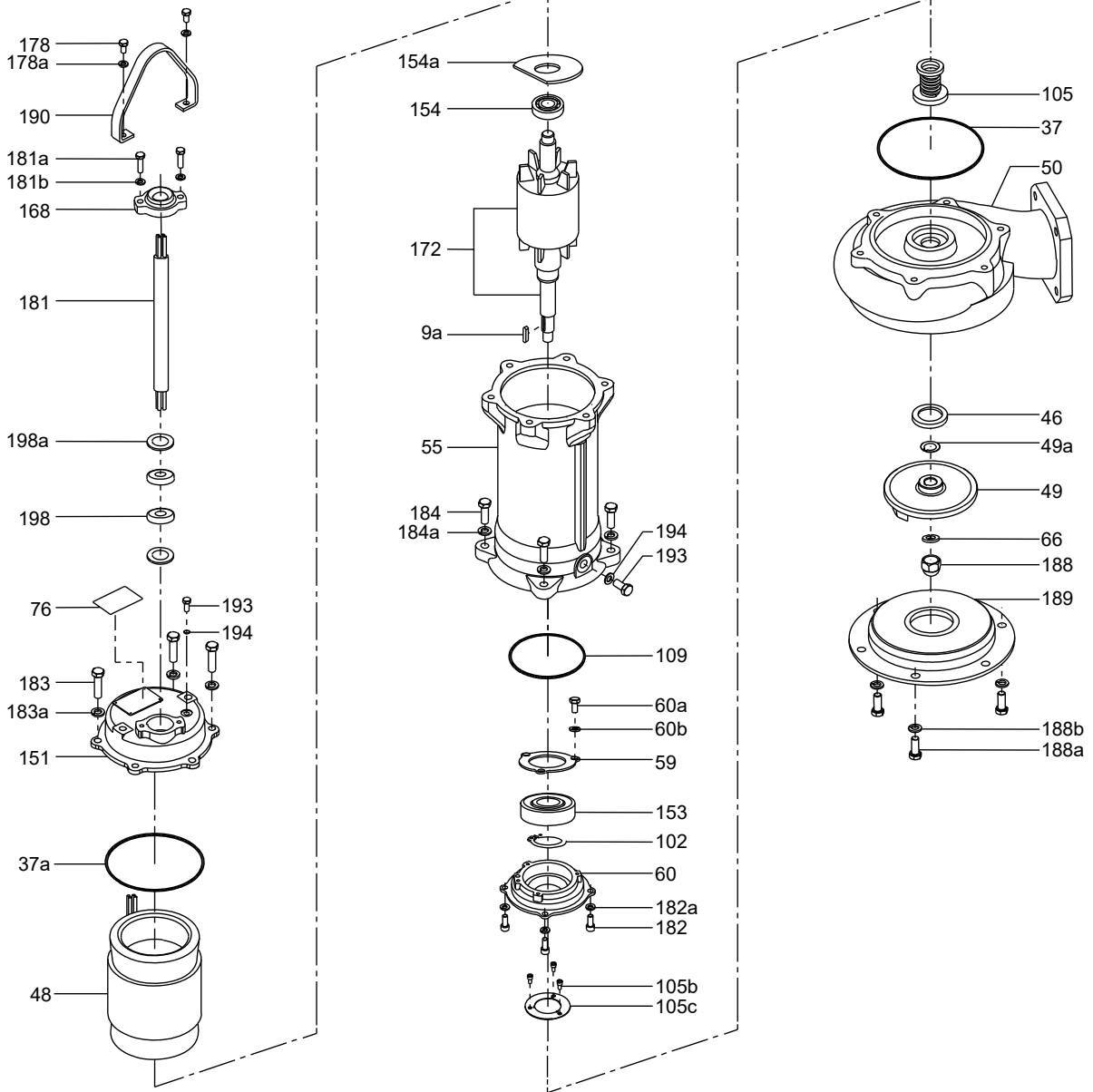
DPK.10.50.075, DPK.10.50.15, DPK.10.80.22



TM044365



DPK.15.80.37, DPK.15.100.55, DPK.15.100.75, DPK.20.100.110, DPK.20.100.150



TM044367

**Bearing**

	Pump type [kW]	0.75-2.2	3.7	5.5-7.5	11-15	19-22
Pos.	Description/Kit No	96884154	96884155	96884156	96884157	96884158
102	Stop ring	1	1	1	1	1
153	Lower bearing	1	1	1	1	1
153a	Lower bearing	-	-	1	1	1
154	Upper bearing	1	1	1	1	1

**Impeller**

50 Hz											
	Pump type [kW]	0.75	1.5	2.2	3.7	5.5	7.5	11	15	19	22
Pos.	Description/Kit No	96884134	96884135	96884136	96884137	96884138	99045280	96884140	96884141	96884142	96884143
9a	Sunk key	1	1	1	1	1	1	1	1	1	1
46	Oil seal	-	-	-	1	1	1	1	1	1	1
46a	Oil seal	-	-	-	-	-	-	-	-	1	1
49	Impeller	1	1	1	1	1	1	1	1	1	1
49a	Gap washer	2	2	2	2	2	2	2	2	2	2
66	Washer	1	1	1	1	1	1	1	1	1	1
188	Cap nut	1	1	1	1	1	1	1	1	1	1

60 Hz											
	Pump type [kW]	0.75	1.5	2.2	3.7	5.5	7.5	11	15	19	22
Pos.	Description/Kit No	96884144	96884145	96884146	96884147	96884148	96884149	96884150	96884151	96884152	96884153
9a	Sunk key	1	1	1	1	1	1	1	1	1	1
46	Oil seal	-	-	-	1	1	1	1	1	1	1
46a	Oil seal	-	-	-	-	-	-	-	-	1	1
49	Impeller	1	1	1	1	1	1	1	1	1	1
49a	Gap washer	2	2	2	2	2	2	2	2	2	2
66	Washer	1	1	1	1	1	1	1	1	1	1
188	Cap nut	1	1	1	1	1	1	1	1	1	1

**O-ring**

	Pump type [kW]	0.75-2.2	3.7	5.5-7.5	11-15	19-22
Pos.	Rubber type	NBR	NBR	NBR	NBR	NBR
	Description/Kit No	96884169	96884170	96884171	96884172	96884173
37	O-ring	1	1	1	1	1
37a	O-ring	1	1	1	1	1
37b	O-ring	1	1	1	1	1
109	O-ring	1	1	1	1	1
194	O-ring	1	1	1	1	1

**Shaft seal**

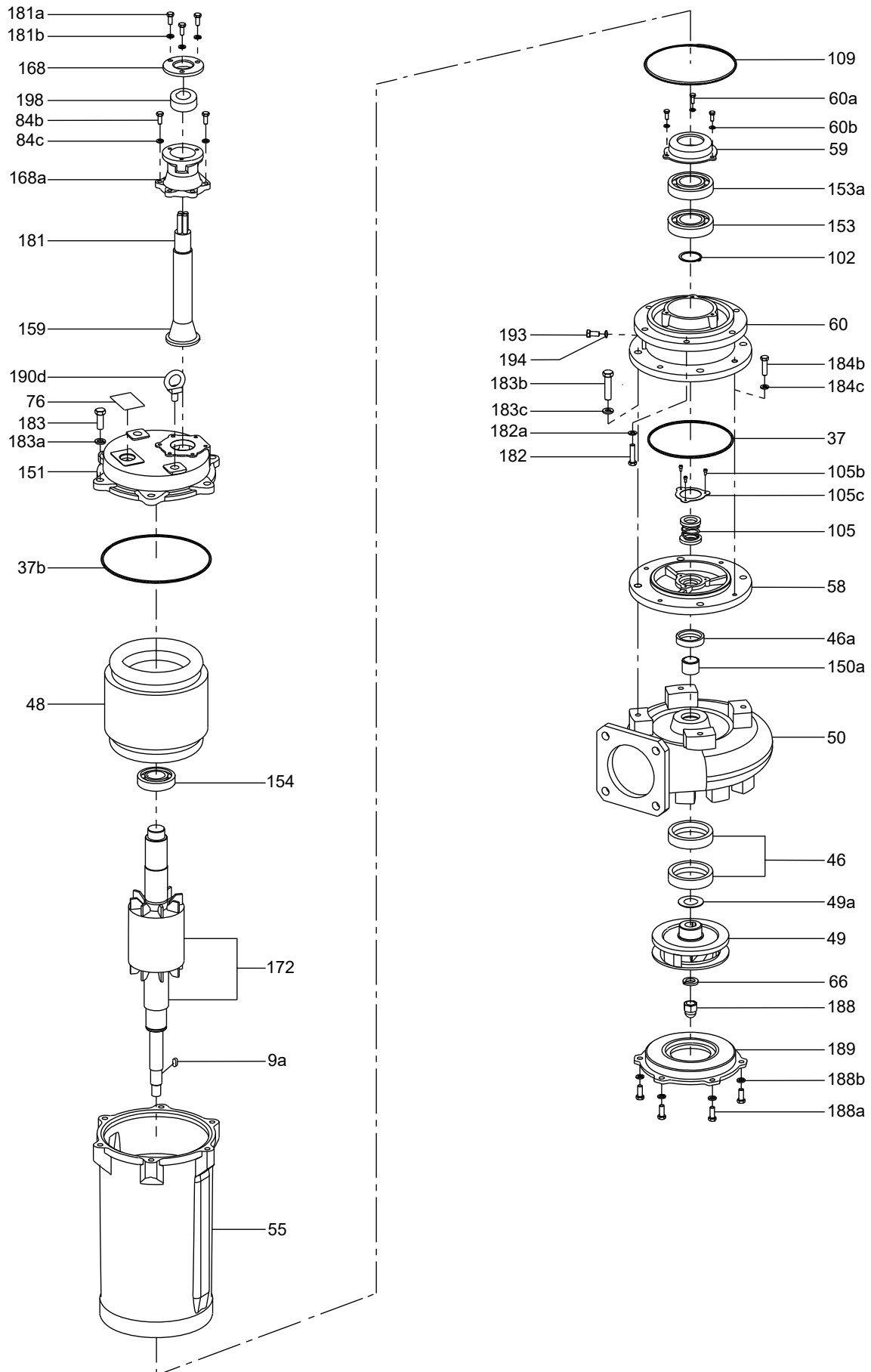
	Pump type [kW]	0.75-2.2	3.7	5.5-15	19-22
Pos.	Description/Kit No	96884174	96884175	96884176	96884177
105	Mechanical seal	1	1	1	1
105a	Seal stopper	-	1	1	1
105b	Screw	-	3	3	3

**Suction cover**

		50 Hz						
Pos.	Pump type [kW]	0.75-1.5	2.2	3.7	5.5	7.5	11-15	19-22
	Description/Kit No	96884159	96884160	96884165	96884161	96884162	96884163	96884167
188a	Screw	3	3	6	6	6	6	6
188b	Washer	3	3	6	6	6	6	6
189	Suction cover	1	1	1	1	1	1	1

		60 Hz					
Pos.	Pump type [kW]	0.75-2.2	3.7	5.5	7.5	11-15	19-22
	Description/Kit No	96884159	96884164	96884161	96884162	96884166	
188a	Screw	3	6	6	6	6	
188b	Washer	3	6	6	6	6	
189	Suction cover	1	1	1	1	1	

DPK.20.150.190, DPK.20.150.220



TM044706

**DPK.V****Bearing**

Pos.	Pump type [kW]	2 pole			4 pole	
		1.5-2.2	3.7	5.5-7.5	1.5-2.2	3.7-7.5
		Description/Kit No	96884154	96884155	96884156	96884155
102	Stop ring	1	1	1	1	1
153	Lower bearing	1	1	1	1	1
153a	Lower bearing	-	-	1	-	1
154	Upper bearing	1	1	1	1	1

**Cable**

Pos.	Pump type [kW]	2 pole					4 pole				
		220-240					220-240				
		1.5-2.2	3.7	5.5	5.5	7.5	1.5-2.2	3.7	5.5	5.5	7.5
		7.5					7.5				
		Connection	DOL	DOL	DOL	Y-D	DOL	DOL	DOL	Y-D	DOL
	Description/Kit No	97792261	98668512	97793013	97793032	97793022	98668376	97792987	97793013	97793032	97793022
188	Cable	10	10	10	10	10	10	10	10	10	10
168a	Cable entry	1	-	-	-	-	-	-	-	-	-
198	Cable bush	-	2	2	2	2	2	2	2	2	2

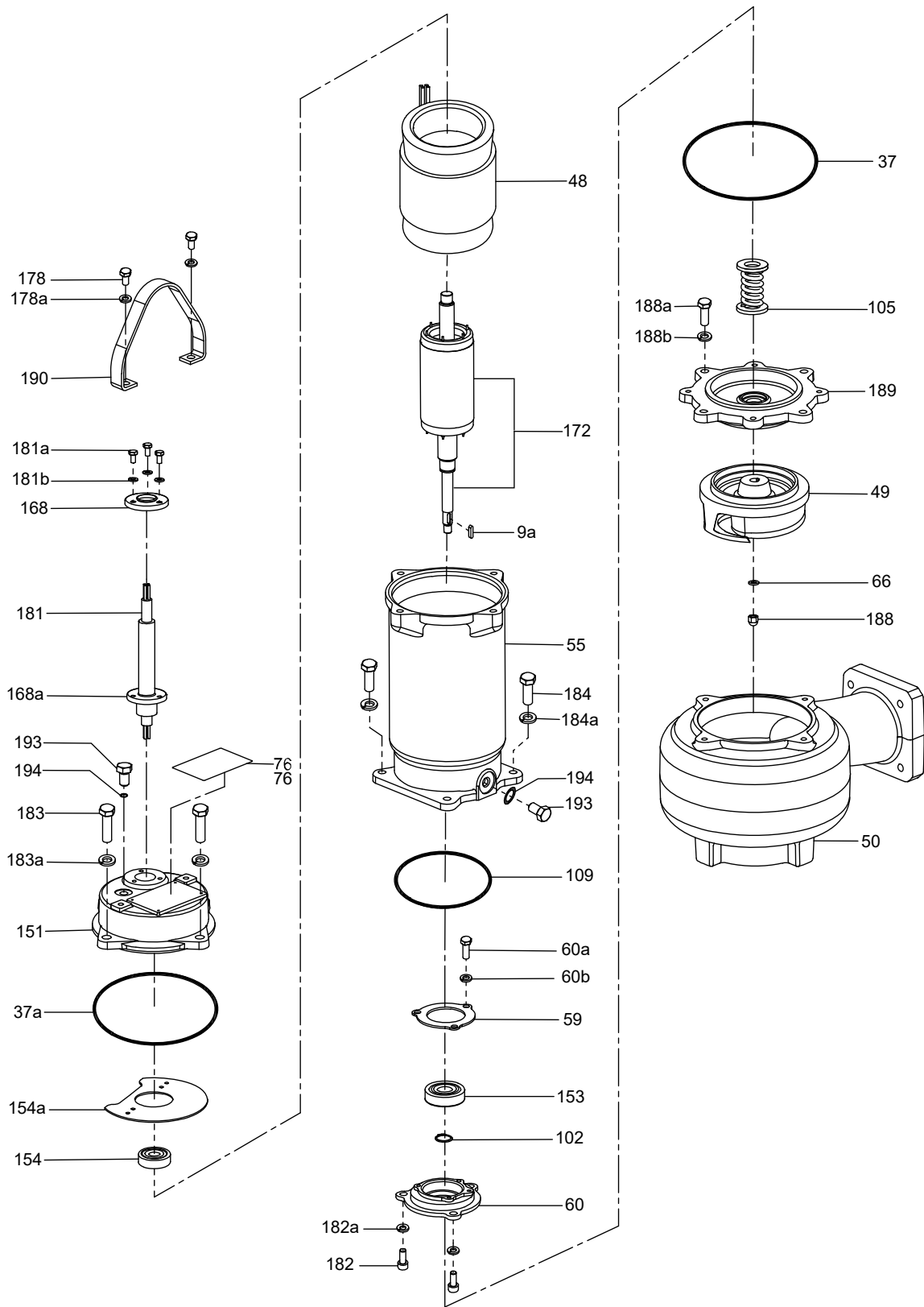
Pos.	Pump type [kW]	2 pole					4 pole			
		380-415					380-415			
		1.5-2.2	3.7	5.5	7.5	5.5	1.5-2.2	3.7	5.5	5.5
		7.5					7.5			
		Connection	DOL	DOL	DOL	DOL	Y-D	DOL	DOL	DOL
	Description/Kit No	97792261	98668376	97792987	97793013	97793032	98668376	97792987	97793013	97793032
188	Cable	10	10	10	10	10	10	10	10	10
168a	Cable entry	1	-	-	-	-	-	-	-	-
198	Cable bush	-	2	2	2	2	2	2	2	2

## Cable entry

		2 pole					4 pole				
Voltage [V]		220-240					220-240				
Pos.	Pump type [kW]	1.5-2.2	3.7	5.5	5.5	7.5	1.5-2.2	3.7	5.5	5.5	7.5
		7.5					7.5				
Connection		DOL	DOL	DOL	Y-D	DOL	DOL	DOL	Y-D	DOL	
Description/Kit No		96884246	96884125	96884127	96936830	96884129	96884126	96884128	96884127	96936830	96884129
181a	Hex. bolt	3	2	2	2	2	2	2	2	2	2
181b	Washer	3	2	2	2	2	2	2	2	2	2
198	Cable bush	-	2	2	2	2	2	2	2	2	2
198a	Ring	-	2	2	2	2	2	2	2	2	2
168	Cable gland	1	1	1	1	1	1	1	1	1	1
168a	Cable entry	1	-	-	-	-	-	-	-	-	-
524	Cable sleeve s	14	12	12	11	8	14	12	12	11	8
525	Shrinkable sleeve s	14	12	12	11	8	14	12	12	11	8
526	Electric tape	1	1	1	1	1	1	1	1	1	1

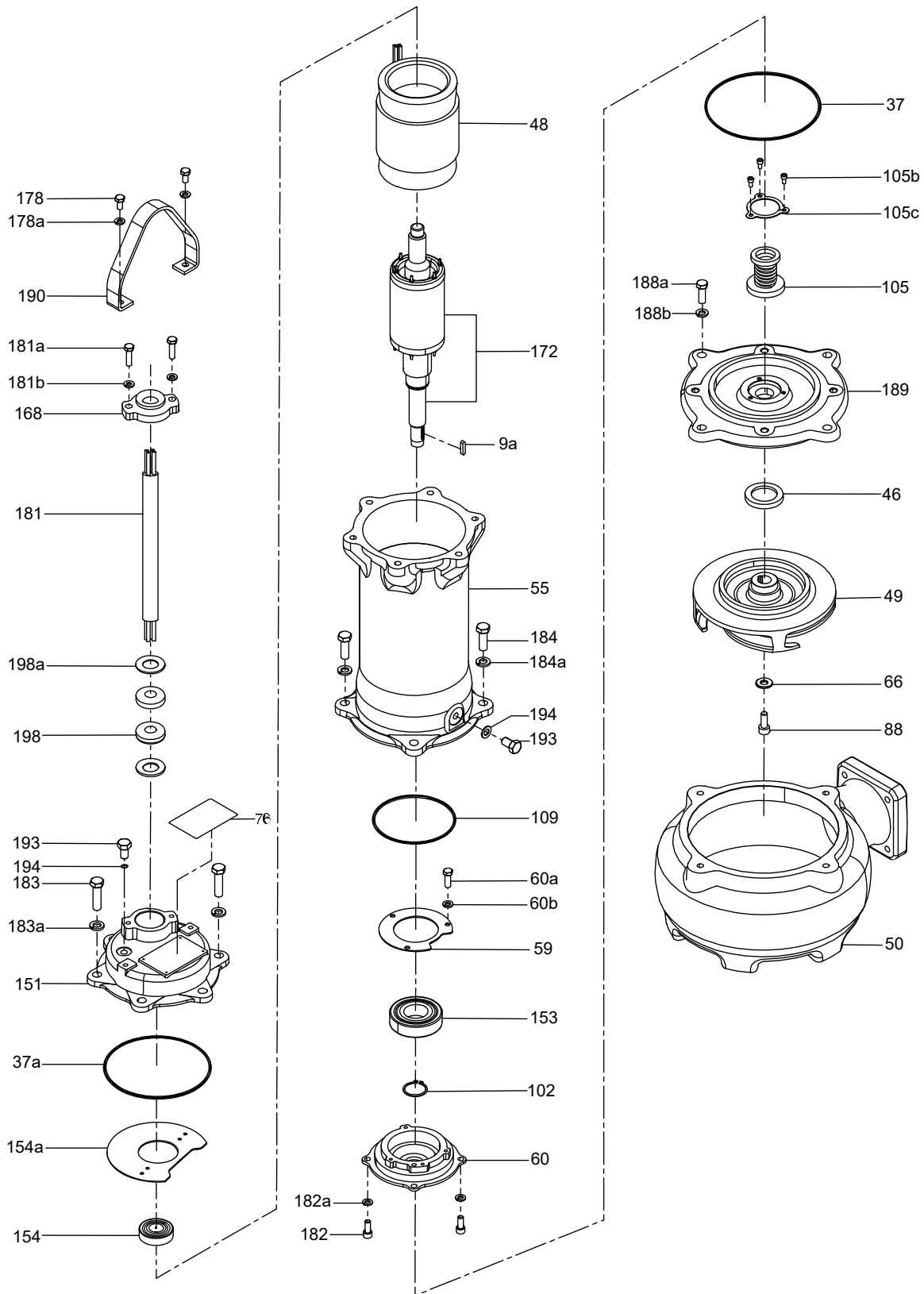
		2 pole					4 pole				
Voltage [V]		380-415					380-415				
Pos.	Pump type [kW]	1.5-2.2	3.7	5.5	7.5	5.5	1.5-2.2	3.7	5.5	5.5	5.5
		7.5					7.5				
Connection		DOL	DOL	DOL	DOL	Y-D	DOL	DOL	DOL	Y-D	
Description/Kit No		96884246	96884126	96884128	96884127	96936830	96884126	96884128	96884127	96936830	
181a	Hex. bolt	3	2	2	2	2	2	2	2	2	
181b	Washer	3	2	2	2	2	2	2	2	2	
198	Cable bush	-	2	2	2	2	2	2	2	2	
198a	Ring	-	2	2	2	2	2	2	2	2	
168	Cable gland	1	1	1	1	1	1	1	1	1	
168a	Cable entry	1	-	-	-	-	-	-	-	-	
524	Cable sleeve s	14	14	12	12	11	14	12	12	11	
525	Shrinkable sleeve s	14	14	12	12	11	14	12	12	11	
526	Electric tape	1	1	1	1	1	1	1	1	1	

DPK.V.65.80.15.2 - DPK.V.65.80.22.2



TM065610

DPK.V.65.80.15.4 - DPK.V.65.80.15.4



TM065608



**Cover**

		2 pole			4 pole	
Pos.	Pump type [kW]	1.5-2.2	3.7	5.5 - 7.5	1.5-2.2	3.7-7.5
	Description/Kit No	98978383	98978385	98808277	98978385	98978384
188a	Screw	4	4	4	4	6
188b	Washer	4	4	4	4	6
189	Suction cover	1	1	1	1	1

**Impeller**

		2 Pole				
Pos.	Pump type [kW]	1.5	2.2	3.7	5.5	7.5
	Description/Kit No	98978386	98978387	98808278	98808279	98808280
9a	Key	1	1	1	1	1
46	Oil seal	-	-	1	2	2
49	Impeller	1	1	1	1	1
66	Washer	1	1	1	1	1
88	Socket head cap screw	-	-	1	1	1
188	Cap nut	1	1	-	-	-

		4 pole				
Pos.	Pump type [kW]	1.5	2.2	3.7	5.5	7.5
	Description/Kit No	98978391	98978392	98978388	98978389	98978390
9a	Key	1	1	1	1	1
46	Oil seal	1	1	2	2	2
49	Impeller	1	1	1	1	1
66	Washer	1	1	1	1	1
88	Socket head cap screw	1	1	1	1	1

**O-ring**

		2 pole			4 pole	
Pos.	Pump type [kW]	1.5-2.2	3.7	5.5-7.5	1.5-2.2	3.7-7.5
	Rubber type	NBR	NBR	NBR	NBR	NBR
	Description/Kit No	96884169	96884170	96884171	96884170	96884171
37	O-ring	1	1	1	1	1
37a	O-ring	1	1	1	1	1
109	O-ring	1	1	1	1	1
194	O-ring	1	1	1	1	1
193	Plug	1	1	1	1	1

**Shaft seal**

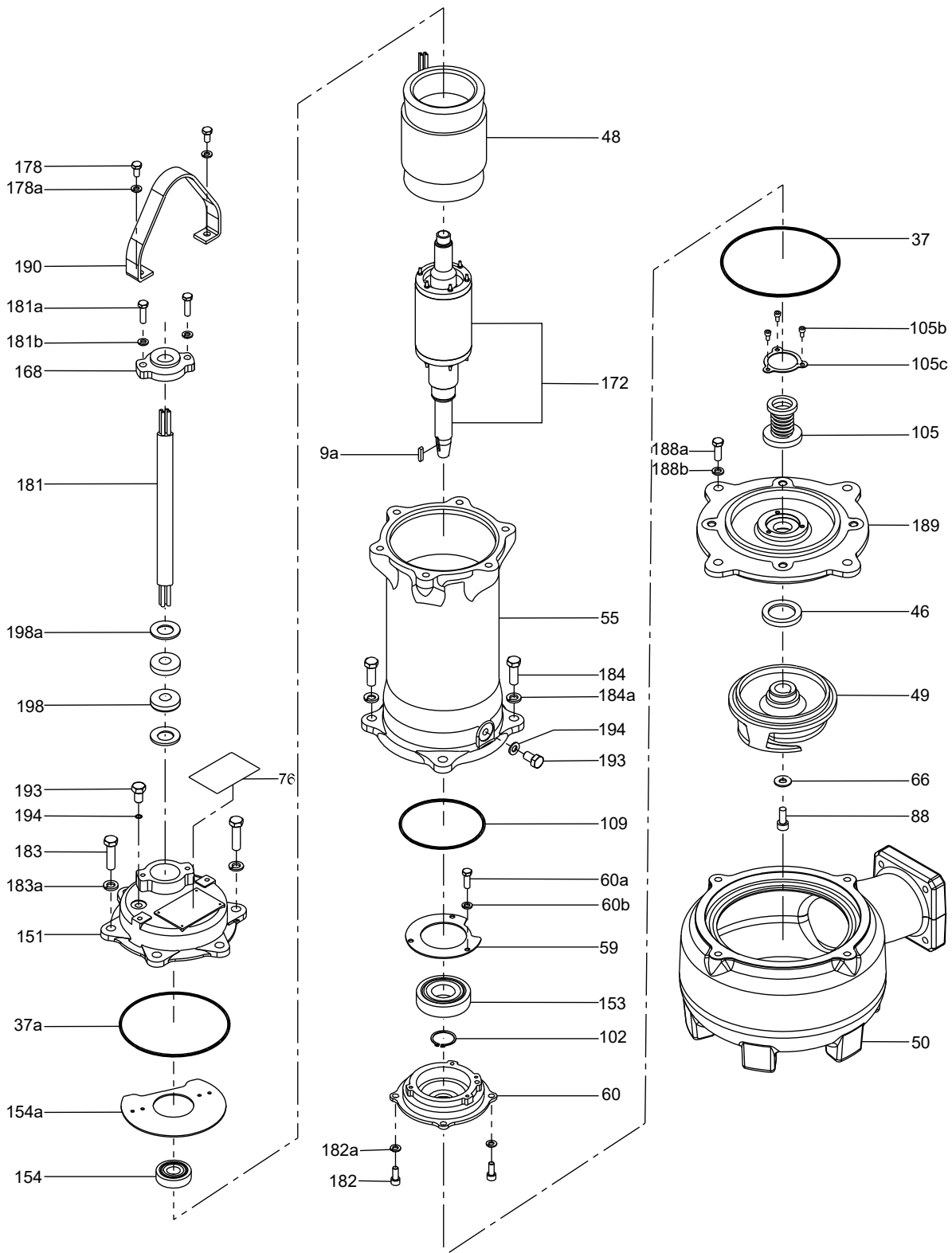
		2 pole			4 pole	
Pos.	Pump type [kW]	1.5-2.2	3.7	5.5-7.5	1.5-2.2	3.7-7.5
	Description/Kit No	96884174	96884175	96884176	96884175	96884176
105	Mechanical seal	1	1	1	1	1
105b	Screw	-	3	3	3	3

## Stator &amp; rotor w/shaft

		2 pole				
Voltage		380 Volt				
Pos.	Pump type [kW]	1.5	2.2	3.7	5.5	7.5
Description/kit No		96961294	96961295	98808306	98808307	98808308
48	Stator	1	1	1	1	1
172	Shaft w/rotor	1	1	1	1	1

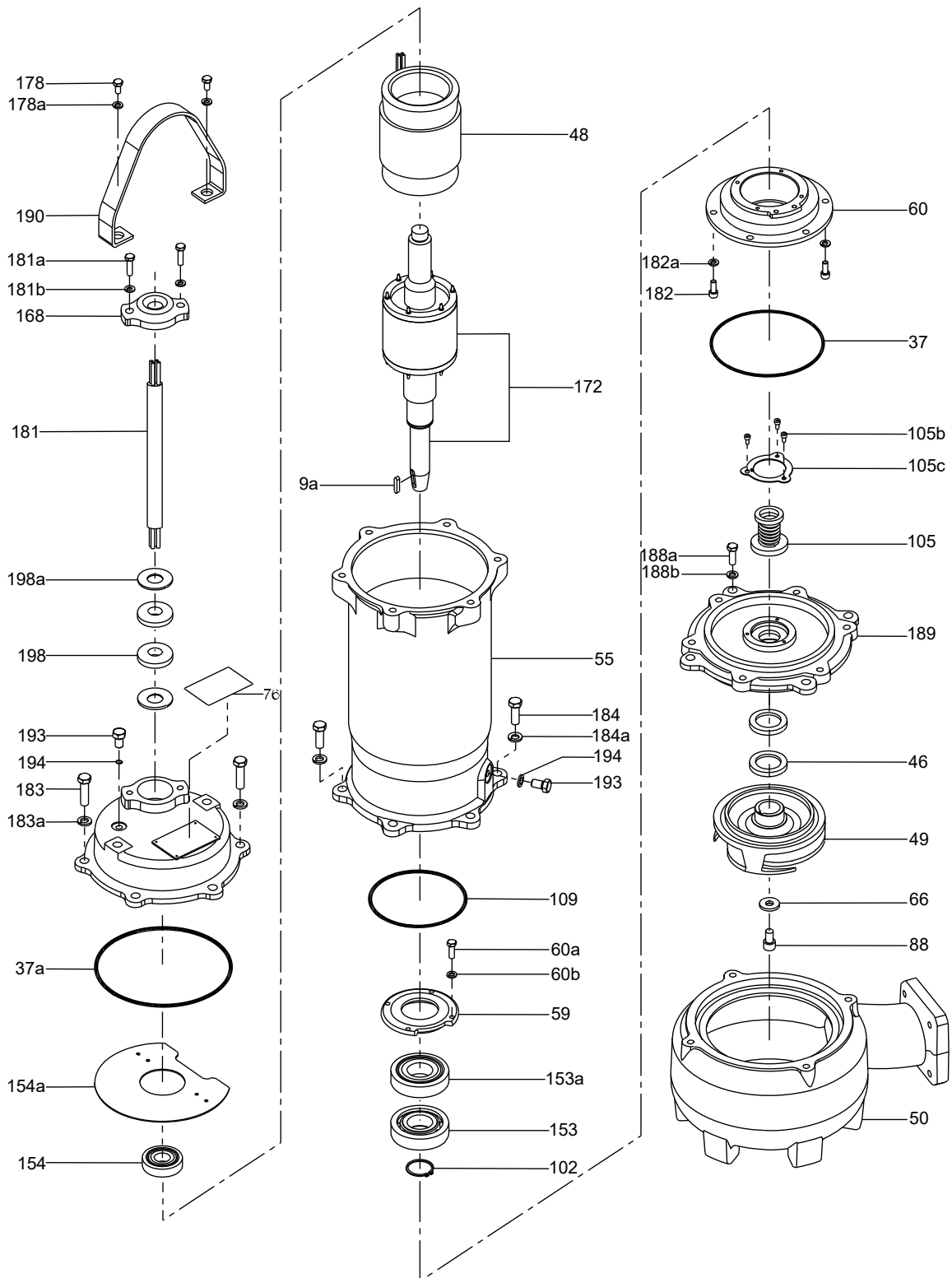
		4 pole						
Voltage		380 Volt				660 Volt		
Pos.	Pump type [kW]	1.5	2.2	3.7	5.5	7.5	5.5	7.5
Description/kit No		98978404	98978405	98978401	98978402	98978403	98978406	98978407
48	Stator	1	1	1	1	1	1	1
172	Shaft w/rotor	1	1	1	1	1	1	1

DPK.V.80.80.37.2



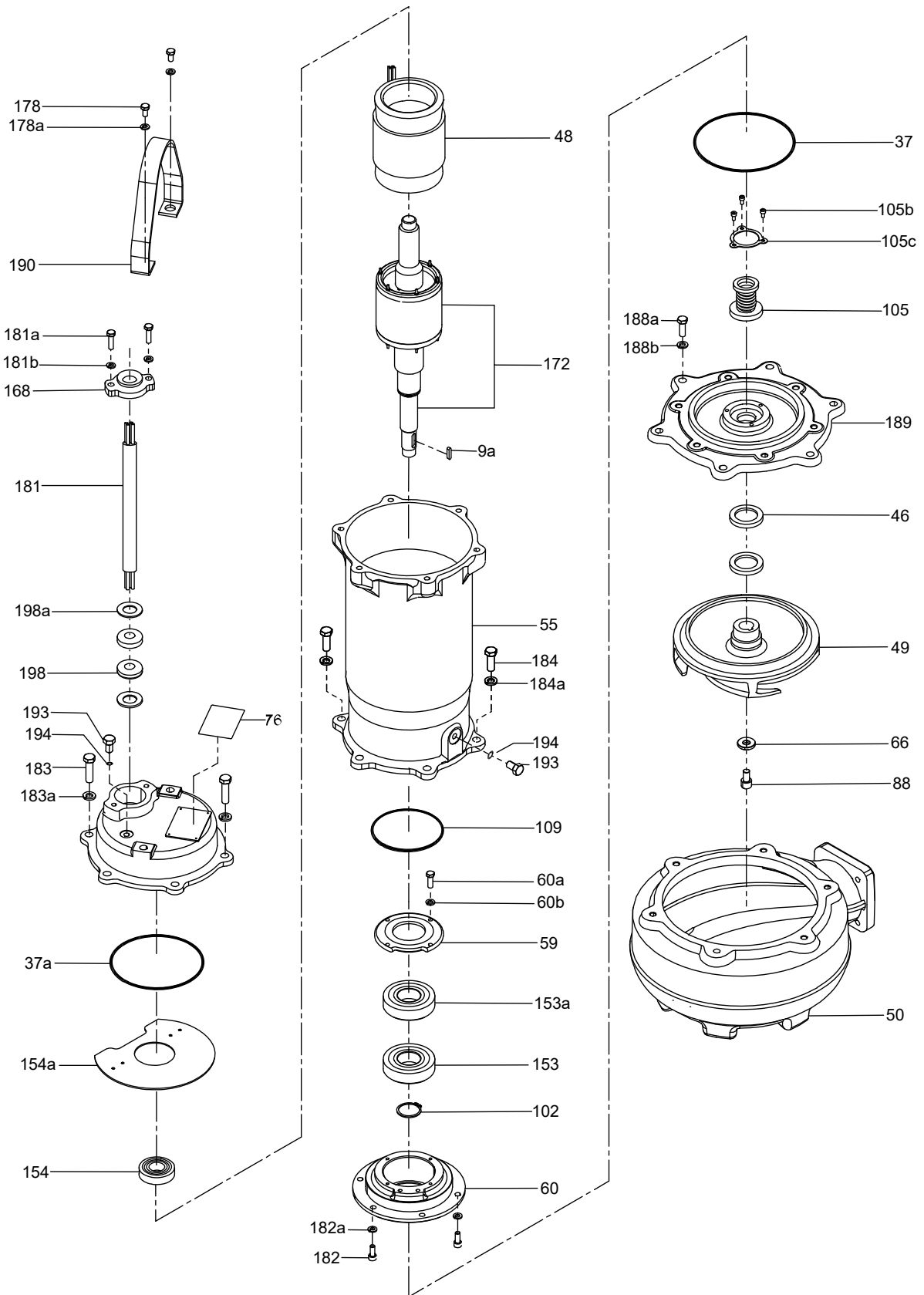
TM065428

DPK.V.80.80.55.2, DPK.V.80.80.75.2



TM065430

DPK.V.80.80.37.4, DPK.V.80.80.55.4, DPK.V.80.80.75.4



TM065609

96488862 06.2022

**GRUNDFOS Holding A/S**  
Poul Due Jensens Vej 7  
DK-8850 Bjerringbro  
Tel: +45 87 50 14 00  
[www.grundfos.com](http://www.grundfos.com)

**GRUNDFOS** 